

INSTALLATION INSTRUCTIONS AND OWNER'S MANUAL

INSTALLER:

Leave this manual with the appliance.

CONSUMER:

Retain this manual for future reference.

⚠ WARNING

For Outdoor Use Only.

⚠ WARNING

If you smell gas:

1. Shut off gas to the appliance.
2. Extinguish any open flame.
3. If odor continues, keep away from the appliance and immediately call your gas supplier or fire department.

⚠ WARNING

Improper installation, adjustment, alteration, service or maintenance can cause injury or property damage. Read the installation, operating and maintenance instructions thoroughly before installing or servicing this equipment.

⚠ WARNING

Do not store or use gasoline or other flammable vapors and liquids in the vicinity of this or any other appliance.

An LP-cylinder not connected for use shall not be stored in the vicinity of this or any other appliance.

OUTDOOR LINEAR GAS FIREPLACE MODELS

OL48TP10(N,P)-1

OL48TP18(N,P)-1

OL60TP10(N,P)-1

OL60TP18(N,P)-1

GAS-FIRED



⚠ WARNING

If the information in these instructions are not followed exactly, a fire or explosion may result causing property damage, personal injury or loss of life.

⚠ WARNING

If not installed, operated and maintained in accordance with the manufacturer's instructions, this product could expose you to substances in fuel or from fuel combustion which can cause death or serious illness.

Installation and service must be performed by a qualified installer, service agency or the gas supplier.

NATIONAL
FIREPLACE
INSTITUTE



CERTIFIED
www.nficertified.org

We suggest that our gas hearth products be installed and serviced by professionals who are certified in the U.S. by the National Fireplace Institute® (NFI) as NFI Gas Specialists.



DANGER



CARBON MONOXIDE HAZARD

This appliance can produce carbon monoxide which has no odor.

Using it in an enclosed space can kill you.

Never use this appliance in an enclosed space such as a camper, tent, car or home.

BEFORE YOU START

1. Read the safety information on pages 4 and 5.
2. What to consider before installing. See pages 9 and 10.
3. Water drainage is required. See page 12. Optional drain tray available.
4. Where are you going to install the unit? See pages 9 to 12.
5. Enclosure construction. See pages 9 to 17.
6. Install the firepit. (Models with LED lights installed)
See pages 13 to 20.
7. Connect the electricity. See page 13.
8. Connect the gas. See pages 14 to 16.
9. Install the crushed glass. See page 20.
10. Light the firepit and troubleshoot. See pages 21 and 22.
11. Show the homeowner how to operate the firepit. See pages 21 to 23.
12. Show the homeowner how to do the basic maintenance.
See page 25.

Tools Needed:

- (1) - 1/8-inch Allen Wrench
- (2) - Adjustable wrenches with range of 1-inch for gas connection
- (2) - Adjustable pipe wrenches
- (1) - Phillips Screwdriver
- (1) - 5/16" Hex Nut Driver

CARTON CONTENTS			
Index No.	Description	Quantity Supplied	
		OL(48,60)TP10	OL(48,60)TP18
1	Instruction Envelope	1	1
2	Receptacle	-	1
3	Cover Plate	-	1
4	Conduit Connector 1/2-in.	-	1
5	AA Battery	1	1
6	Prop Tool	2	2

See Parts Lists on page 29 for ordering replacement parts. Do not order batteries, bolts, screws, washers or nuts. They are standard hardware items and can be purchased at any local hardware store.

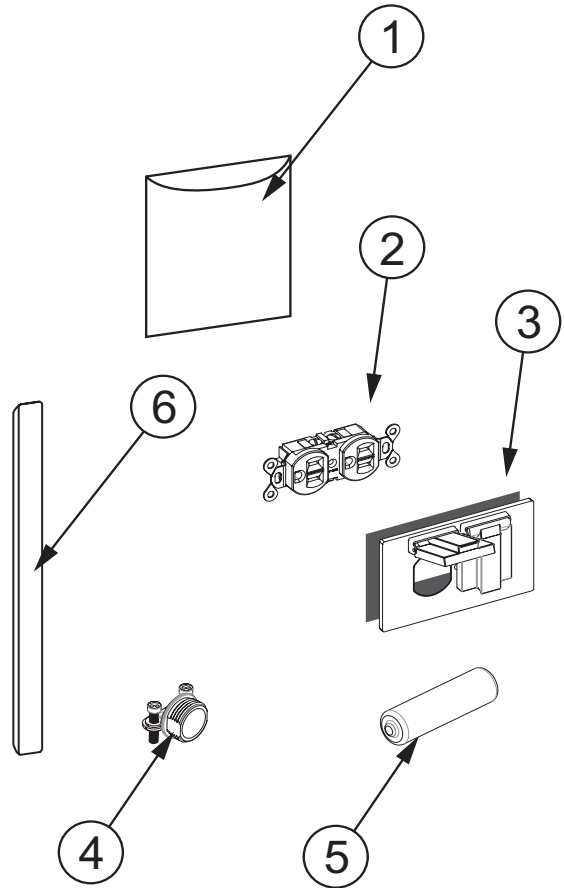


TABLE OF CONTENTS

SECTION	PAGE
Before You Start	2
Table Of Contents	3
Important Safety Information	4
Safety Information For Users Of LP-Gas	5
Product Specifications	6
Accessories	6
Firepit Dimensions	7
Introduction	8
Combustible Materials	11
Clearances	11
Planning Installation	9 - 12
Firepit Installation:	
- Electrical Supply	13
- Gas Supply	14
- LP-Gas Cylinder Information.....	15 - 16
- Firepit Enclosure Requirements.....	17 - 18
- Finishing.....	19 - 20
Lighting Instructions	21
Main Burner Flame Characteristics	22
Operation Instructions / LED Lights	23
Wiring	24
Maintenance	25
Troubleshooting	26
Master Parts Distributor List	27
How To Order Repair Parts	27
OL48TP Parts List	28
OL60TP Parts List	28
OL48TP Parts View	29
OL60TP Parts View	29
Firepit Service History	30
Warranty Terms	31

IMPORTANT SAFETY INFORMATION

ABOUT (WARNING) INFORMATION BELOW

This manual includes warnings intended to help protect you during the installation and use of this product. Each warning begins with the alert symbol and an alert word in bold letters—followed by the specifics of the warnings. Please review the sample warnings below.

SAMPLE WARNINGS AND DEFINITIONS:

⚠ DANGER: Indicates a hazardous situation which, if not avoided, will result in death or serious injury.

⚠ WARNING: Indicates a hazardous situation which, if not avoided, could result in death or serious injury.

⚠ CAUTION: Indicates a hazardous situation which, if not avoided, could result in minor or moderate injury.

NOTICE: Addresses practices not related to personal injury.

⚠ DANGER

- Children and adults should be alerted to the hazard of high surface temperature and should stay away to avoid burns or clothing ignition.
- Young children should be carefully supervised when they are in the same area with the firepit.
- Clothing or other flammable materials should not be hung near the firepit, or placed on or near the firepit.
- Keep the firepit area clear and free from combustible material, gasoline and other flammable vapors and liquids.
- Never lean over the firepit when lighting, or during operation.

⚠ WARNING

- Do not place debris, logs, or other articles in firepit during operation.
- Any modification to controls can be dangerous. Improper installation can cause serious injury or death from fire, burns, explosion or carbon monoxide poisoning.
- Make a periodic visual check of burners. Clean and replace damaged parts.
- Never use the firepit for cooking.

- Installer: Please leave these instructions with the owner for future reference
- This unit complies with ANSI Z21.97/CSA 2.41 for Outdoor Gas Fireplaces.
- Installation and repair should be done by a **QUALIFIED SERVICE PERSON**. This firepit should be inspected before use and at least annually by a professional service person. More frequent cleaning may be required due to insects, pollen build up, dust, etc. It is imperative that the control compartments, burners, and circulating air passageways of the firepit be kept clean.
- During manufacturing, fabricating and shipping, various components of this firepit are treated with certain oils, films or bonding agents. These agents are not harmful, but may produce annoying smoke and smells as they are burned off during initial operation of the firepit. This is a normal temporary occurrence.
- Follow all local codes regarding installation, combustion and ventilation air or in the absence of local codes follow the National Fuel Gas Code ANSI Z223.1 (US installation), or CAN/CGA-B149, installation Code (Canada installation).
- Inspect the burner at least once a year.
- Keep burner and control compartment clean.
- **DO NOT** use this firepit if any part has been under water. Immediately call a qualified service technician to inspect the firepit and to replace any part of the control system and any gas control which has been under water.
- Any guard or other protective device removed for servicing the appliance must be replaced prior to operating the appliance.

SAFETY INFORMATION FOR USERS OF LP-GAS

Propane (LP-Gas) is a flammable gas which can cause fires and explosions. In its natural state, propane is odorless and colorless. You may not know all the following safety precautions which can protect both you and your family from an accident. Read them carefully now, then review them point by point with the members of your household. Someday when there may not be a minute to lose, everyone's safety will depend on knowing exactly what to do. If, after reading the following information, you feel you still need more information, please contact your gas supplier.

LP-GAS WARNING ODOR

If a gas leak happens, you should be able to smell the gas because of the odorant put in the LP-Gas. That's your signal to go into immediate action!

- Do not operate electric switches, light matches, use your phone. Do not do anything that could ignite the gas.
- Get everyone out of the building, vehicle, trailer, or area. Do that IMMEDIATELY.
- Close all gas tank or cylinder supply valves.
- LP-Gas is heavier than air and may settle in low areas such as basements. When you have reason to suspect a gas leak, keep out of basements and other low areas. Stay out until firefighters declare them to be safe.
- Use your neighbor's phone and call a trained LP-Gas service person and the fire department. Even though you may not continue to smell gas, do not turn on the gas again. Do not re-enter the building, vehicle, trailer, or area.
- **Finally**, let the service man and firefighters check for escaped gas. Have them air out the area before you return. Properly trained LP-Gas service people should repair the leak, then check and relight the gas fireplace for you.

NO ODOR DETECTED - ODOR FADE

Some people cannot smell well. Some people cannot smell the odor of the chemical put into the gas. You must find out if you can smell the odorant in propane. Smoking can decrease your ability to smell. Being around an odor for a time can affect your sensitivity or ability to detect that odor. Sometimes other odors in the area mask the gas odor. People may not smell the gas odor or their minds are on something else. Thinking about smelling a gas odor can make it easier to smell.

The odorant in LP-gas is colorless, and it can fade under some circumstances. For example, if there is an underground leak, the movement of the gas through soil can filter the odorant. Odorants in LP-Gas also are subject to oxidation. This fading can occur if there is rust inside the storage tank or in iron gas pipes.

The odorant in escaped gas can adsorb or absorb onto or into walls, masonry and other materials and fabrics in a room. That will take some of the odorant out of the gas, reducing its odor intensity.

LP-Gas may stratify in a closed area, and the odor intensity could vary at different levels. Since it is heavier than air, there may be more odor at lower levels. Always be sensitive to the slightest gas odor. If you detect any odor, treat it as a serious leak. Immediately go into action as instructed earlier.

SOME POINTS TO REMEMBER

- Learn to recognize the odor of LP-gas. Your local LP-Gas Dealer can give you a "Scratch and Sniff" pamphlet. Use it to find out what the propane odor smells like. If you suspect that your LP-Gas has a weak or abnormal odor, call your LP-Gas Dealer.
- If you are not qualified, do not light pilot lights, perform service, or make adjustments to fireplaces on the LP-Gas system. If you are qualified, consciously think about the odor of LP-Gas prior to and while lighting pilot lights or performing service or making adjustments.
- Odor fade, due to oxidation by rust or adsorption on walls of new cylinders and tanks, is possible. Therefore, people should be particularly alert and careful when new tanks or cylinders are placed in service. Odor fade can occur in new tanks, or reinstalled old tanks, if they are filled and allowed to set too long before refilling. Cylinders and tanks which have been out of service for a time may develop internal rust which will cause odor fade. If such conditions are suspected to exist, a periodic sniff test of the gas is advisable. **If you have any question about the gas odor, call your LP-gas dealer. A periodic sniff test of the LP-gas is a good safety measure under any condition.**
- If, at any time, you do not smell the LP-Gas odorant and you think you should, assume you have a leak. Then take the same immediate action recommended above for the occasion when you do detect the odorized LP-Gas.
- If you experience a complete "gas out," (the container is under no vapor pressure), turn the tank valve off immediately. If the container valve is left on, the container may draw in some air through openings such as pilot light orifices. If this occurs, some new internal rusting could occur. If the valve is left open, then treat the container as a new tank. Always be sure your container is under vapor pressure by turning it off at the container before it goes completely empty or having it refilled before it is completely empty.

PRODUCT SPECIFICATIONS

	Natural Gas	Propane Gas
Manifold Pressure Setting	4-1/2" w.c.	11" w.c.
Gas Inlet Pressure Max	7" w.c.	11" w.c.

Model Number	BTUH Max. Rate	BTUH Min. Rate	Gas Type	Valve Type	Orifice Size	Air Shutter Setting
OL48TP10N	55,000	39,500	NAT	MANUAL	24	1/16 in. Open
OL48TP10P	55,000	35,500	LP	MANUAL	43	3/8 in. Open
OL48TP18N	55,000	39,500	NAT	MANUAL	24	1/16 in. Open
OL48TP18P	55,000	35,500	LP	MANUAL	43	3/8 in. Open
OL60TP10N	65,000	46,500	NAT	MANUAL	12	1/16 in. Open
OL60TP10P	65,000	38,000	LP	MANUAL	41	Fully Open
OL60TP18N	65,000	46,500	NAT	MANUAL	12	1/16 in. Open
OL60TP18P	65,000	38,000	LP	MANUAL	41	Fully Open

ACCESSORIES

DECORATIVE CRUSHED GLASS

Required Decorative Crushed Glass Media Kits (6 Sq. Ft. Minimum, 8 Sq. Ft. Maximum) Required for OL48 Burner and LED Lighting, and (5 Sq. Ft. Minimum, 7 Sq. Ft. Maximum) for OL60 Burner and LED Lighting

Model	Description
DG1CLF*	Clear Frost

DECORATIVE CRUSHED GLASS (FOR ACCENT ONLY)

Model	Description	Model	Description
DG1BKP*	Black Polished	DG1BCR	Copper
DG1BUC*	Blue	DG1BZR	Bronze

*Clear Frost Decorative Crushed Glass is recommended, if firepit is equipped with LED lighting. Decorative Glass Droplets cannot be substituted for crushed glass. One bag of crushed glass covers 1 sq. ft. Glass colors may be mixed. The maximum amount of Crushed Decorative Glass allowed is 8 bags on OL60, and 7 bags on OL48. Transparent and Translucent crushed glass will allow LEDs to maximize brightness of LED lighting.

DECORATIVE GLASS DROPS & DROPLETS (MAY BE USED IN ADDITION TO CRUSHED GLASS AS AN ENHANCEMENT)

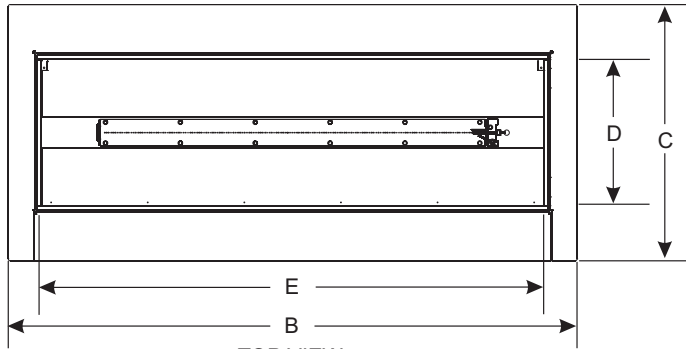
Model	Description	Model	Description
DG1NXS	1-in. Decorative Glass Drops - Onyx Solid	DG1AB	1/2-in. Decorative Glass Droplets - Aqua Blue
DG1RYC	1-in. Decorative Glass Drops - Ruby Clear	DG1GC	1/2-in. Decorative Glass Droplets - Glacier Ice
DG1TZC	1-in. Decorative Glass Drops - Topaz Clear	DG1SL	1/2-in. Decorative Glass Droplets - Sangria Luster

NOTE: Decorative Glass Droplets may be added on top of the crushed glass as an enhancement. Decorative Glass Droplets must not be placed in the burner flame. See Crushed Glass Installation, Page 22. Do not add more than one bag of Decorative glass droplets.

ACCESSORIES

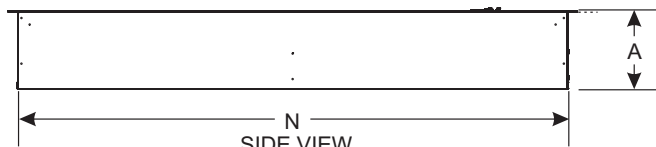
Model		Description
OL48TP	OL60TP	
DT48LSS	DT48LSS	Stainless Steel Drain Tray - (Fits 48 and 60-inch firepits)
WC48LSS	WC60LSS	Stainless Steel Weather Cover
WG484LT	WG604LT	Deflector Glass Kit (For windy applications)
37992	37993	Nat to LP Conversion Kit
37991	37994	LP to Nat Conversion Kit
BBA	BBA	Tilt-Out LP Tank Door Kit
BRB	BRB	Vent Register Kit (Includes 2 vents)

FIREPIT DIMENSIONS



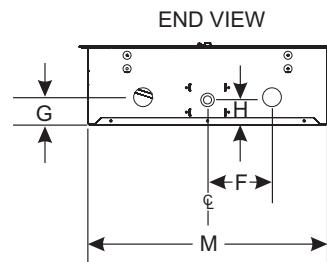
TOP VIEW

Figure 1



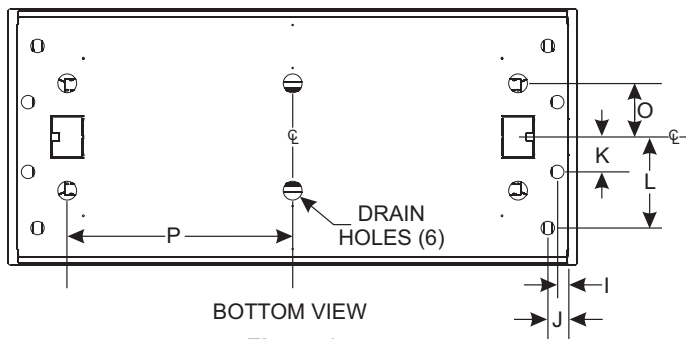
SIDE VIEW

Figure 2



END VIEW

Figure 4



BOTTOM VIEW

Figure 3

Index Letter	Dimension Description	OL48TP	OL60TP
		Dimensions In Inches	
A	The Maximum Height of The Firepit	7 3/8	7 3/8
B	The Maximum Width of The Firepit	53	65
C	The Maximum Depth of The Firepit	23 7/8	23 7/8
D	The Maximum Depth of The Crushed Glass Bed	13 11/16	13 11/16
E	The Maximum Width of The Crushed Glass Bed	46 7/8	58 7/8
F	End Gas Line Openings From Centerline of Firepit	6	6
G	End Gas Line Openings From Bottom of Firepit	2 9/16	2 9/16
H	End Electrical Opening Height From Bottom of Firepit	2 5/16	2 5/16
I	Bottom Electrical Openings From End of Firepit	1 1/16	1 1/16
J	Bottom Gas Line Openings From End of Firepit	1 15/16	1 15/16
K	Bottom Electrical Openings From Centerline of Firepit	3 1/4	3 1/4
L	Bottom Gas Line Openings From Centerline of Firepit	5	5
M	Bottom Cabinet Depth	22 7/16	22 7/16
N	Bottom Cabinet Width	51 3/4	63 3/4
O	Bottom Drain Hole Locations From Centerline	5	5
P	Bottom Drain Hole Locations From Centerline	21	21

INTRODUCTION

Instructions to Installer

1. Installer must leave instruction manual with owner after installation.
2. Installer must have owner fill out and mail registration card supplied with this firepit or register online at www.empirecomfort.com.
3. Installer should show owner how to start and operate outdoor firepit.

Always consult your local Building Department regarding regulations, codes or ordinances which apply to the installation of an outdoor gas firepit.

WARNING

To avoid injury or damage to the firepit or surrounding area, do not burn wood or other solid fuels in this firepit.

WARNING

Any change to this firepit or its controls can be dangerous. Improper installation or use of the firepit can cause serious injury or death from fire, burns, explosion or carbon monoxide poisoning.

This series is design certified in accordance with **ANSI Z21.97/CSA 2.41 for Outdoor Gas Fireplaces** and should be installed according to these instructions.

Any alteration of the original design, installing it other than as shown in these instructions or using a type of gas not shown on the rating plate, is the responsibility of the person and company making the change.

Manual Valve Safety System

When the burner ignites, a thermocouple senses a signal (electrical current) that energizes a magnet in the gas valve. After 30 to 60 seconds, the control knob can be released. If the thermocouple does not sense the flame, the gas will shut off.

Important

All correspondence should refer to complete Model Number, Serial Number and type of gas.

Moisture Resistance

When purchasing a firepit we recommend you also buy a weather cover to protect the unit from excessive moisture. Never install a burner where moisture cannot drain off easily.

NOTICE: This firepit is design certified as an outdoor gas fireplace, therefore some references may state "fireplace" as required by the **ANSI Z 21.97/CSA 2.41** standard for outdoor gas fireplaces.

Qualified Installing Agency

Installation and replacement of gas piping, gas utilization equipment or accessories and repair and servicing of equipment shall be performed only by a qualified agency. The term "qualified agency" means any individual, firm, corporation or company which either in person or through a representative is engaged in and is responsible for (a) the installation or replacement of gas piping or (b) the connection, installation, repair or servicing of equipment, who is experienced in such work, familiar with all precautions required and has complied with all the requirements of the authority having jurisdiction.

Local Codes

- When the firepit is connected to a fixed piping system, the installation must conform with local codes, or in the absence of local codes with the *National Fuel Gas Code, ANSI Z223.1/NFPA 54, or International Fuel Gas Code*.
- When installed, the firepit must be electrically grounded in accordance with local codes, or in the absence of local codes with the *National Electrical Code, ANSI/NFPA 70*, if applicable.

Commonwealth of Massachusetts: The installation must be made by a licensed plumber or gas fitter in the Commonwealth of Massachusetts.

The installation must conform with local codes or, in the absence of local codes, with the National Fuel Gas Code, ANSI Z223.1.*

*Available from the American National Standards Institute, Inc. 1430 Broadway, New York, N.Y. 10018.

High Altitudes

For altitudes/elevations above 2,000 feet (610m), ratings should be reduced at the rate of 4 percent for each 1,000 feet (305m) above sea level. Contact the manufacturer or your gas company before changing spud/orifice size.

Conversion Kits

Conversion kits are available. See page 6. Installation of a conversion kit should be done prior to applying media materials to the burner and screen areas.

PLANNING INSTALLATION

What to Consider Before Installing

1. Verify firepit gas type and gas supply type are the same.
2. Look for a location where combustibles will not interfere.
3. 120V GFI power outlet will be needed for LED lights
4. Choose a location for gas shutoff valve. Installation requires that an accessible external gas shutoff be installed. (Not provided)
5. Verify ventilation meets at least minimum requirements
6. Drainage under firepit.
7. Drain pan and weather cover accessories. (optional)
8. Glass wind kit accessories (optional)

When planning the installation for the firepit, determine where the unit is to be installed and whether optional accessories are desired. Gas supply piping should also be planned at this time.

The firepit can be mounted on any of these surfaces:

1. A raised frame of combustible material.
2. Brick, block, or stone base installation

Contact must be made on all four perimeter flanges with a depth of least 7-1/2 inches to retain the firepit. Internal opening dimensions are shown in **Figure 5**. Enclosures should include provision for water drainage.

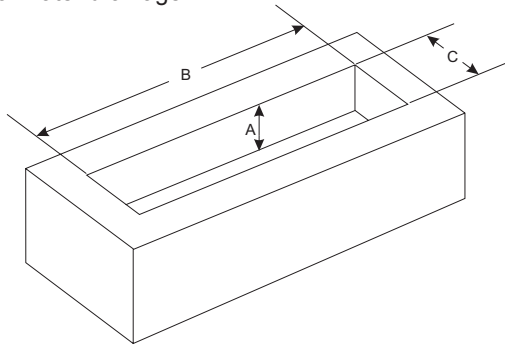


Figure 5

	OL48TP		OL60TP	
	Internal Enclosure Dimensions (inches)			
Height A	*7-1/2 Min.		*7-1/2 Min.	
Width B	51-3/4 Min.	52-1/2 Max.	63-3/4 Min.	64-1/2 Max.
Depth C	22-5/8 Min.	23-1/2 Max.	22-5/8 Min.	23-1/2 Max.

*If installing a drain tray accessory, add at least 6" inches more to the height of the enclosure to allow enough space for the drain pan, connector, and tubing clearance.

At this point, you should have decided what components to include in your installation, and where the firepit is to be located. If this has not been done, stop and consult your dealer for assistance with this planning.

WARNING

This firepit is intended for installation on an outdoor patio or yard. This firepit shall be used only outdoors in a well ventilated space and shall NOT be used in a building, garage, or other enclosed area. This firepit cannot be installed with an opening to the inside of a residence.

NOTICE: This firepit is NOT equipped with an Oxygen Depletion Sensor (ODS) pilot.

Installation of the firepit may be in an "open" area, however it is recommended that this firepit be installed in an area sheltered from direct winds.

Direct wind will cause an erratic flame and possible burner outage. This erratic flame could also lead to excessive black soot. These are nuisance issues rather than safety issues.

Typical installation may include covered patio, open porch, gazebo or an outside wall of a house.

- Minimum porch area – 96 square feet
- Minimum ceiling height – 48 inches

LED Lights will require a 120V GFI power outlet on the valve end of the firepit. The GFI plug will be located outside of the firepit. A junction box is provided inside the firepit to provide a location to plug in the LEDs.

Outdoor Firepit Location Requirements

Do not install firepit until all necessary provisions are made for combustion and ventilation air. Consult the written instructions provided with the firepit for information concerning combustion and ventilation air. In the absence of instructions, refer to the National Fuel Gas Code, ANSI Z223.1/NFPA 54, Air for Combustion and Ventilation, or applicable local codes.

Installation in partial enclosures must conform with one of the following conditions:

- With walls on back and one side, but with no overhead cover. See Figures 6.

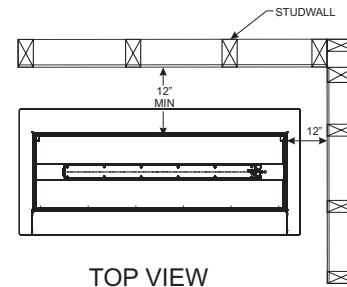


Figure 6

- Within a partial enclosure which includes an overhead cover and no more than two side walls. These side walls may be parallel, as in a breezeway. See Figures 7 and 8.

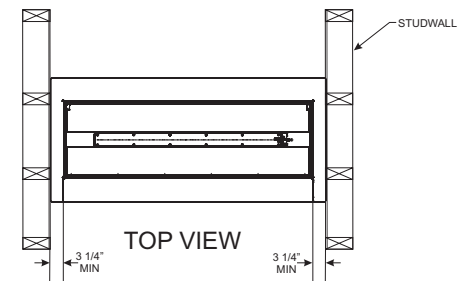


Figure 7

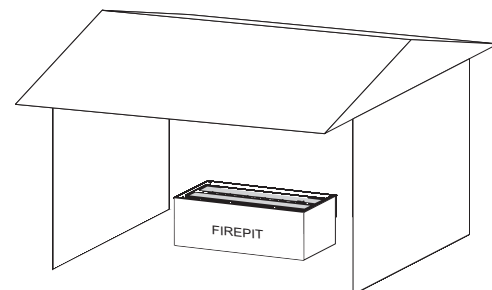
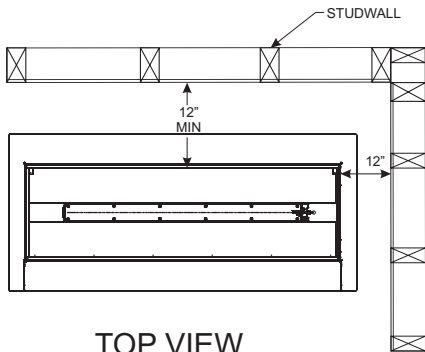


Figure 8

PLANNING INSTALLATION (CONT'D)

Installation is permissible within a partial enclosure that includes an overhead cover and three side walls, as long as 30 percent or more of the horizontal periphery (perimeter of walls and open side) of the enclosure is permanently open. See Figures 9,10 and 11.



TOP VIEW

Figure 9

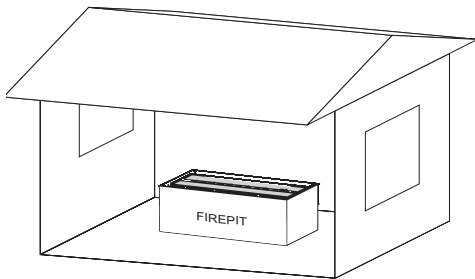
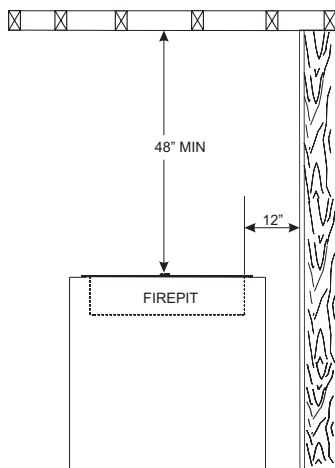


Figure 10

If installing in a screened in porch, the open space must be adjusted (increased) from 30 percent (adjusted open space = 30% / % open area of the screen mesh). "Example, if you used a screen with a 66% open area, the minimum open space of your building must be 46% of the periphery. If you have a covered screened-in porch that has two side walls that are 16', one wall that was against the house that's 20' and one open side that's 20', you would have a perimeter of 72'. You would need to have 33' of the perimeter open (72' x 46% = 33')."

(Contact your screen manufacturer or screen dealer to determine your screens open area).



SIDE VIEW

Figure 11

CAUTION

Vinyl Soffit, Vinyl Ceiling, Vinyl Overhang Disclaimer Clearances are to heat resistant material (i.e. wood, metal). This does not include vinyl. Empire Comfort Systems Inc. will not be held responsible for heat damage caused from terminating under vinyl overhangs, vinyl ceilings or vinyl ventilated/unventilated soffits.

WARNING

Improper installation, adjustment, alteration, service or maintenance can cause property damage, personal injury or loss of life. Installation and service must be performed by a qualified installer, service agency or the gas supplier.

GAS LINE CONNECTION

The firepit is designed to accept a 3/8-in. gas line on OL48TP units, and a 1/2-in. gas line on OL60TP units. Have the line installed by a qualified service person in accordance with all building codes. Consult local building codes to properly size the gas supply line leading to the gas hook-up at the unit. The Commonwealth of Massachusetts requires that a flexible fireplace connector cannot exceed three feet in length. See Figure 12.

A flex-line connection to the valves is provided. **The gas shut-off valve (not supplied) must be located outside of the unit in an accessible area.**

Check gas type on the rating label located on the underside of the control door. If the gas listed on the rating label does not match your gas supply, DO NOT INSTALL. Contact your dealer for proper model or conversion kit.

Always use an external regulator for all LP fireplaces to reduce the supply tank pressure to a maximum of 11 in. w.c.

WARNING

Connection directly to an unregulated L.P. tank can cause an explosion.

WARNING

Risk of fire, explosion or asphyxiation. Ensure no ignition, flame or spark are near during installation. This includes cigarettes or cell phones.

Leak test all connections with a soap and water solution. Bubble formation will indicate a leak while under pressure. Use caution to avoid burns.

PLANNING INSTALLATION (CONT'D)

COMBUSTIBLE MATERIALS

No greeting cards, stockings or ornamentation of any type should be placed over the firepit. This is an open flame appliance. The flow of heat and flames can ignite combustibles.

No vinyl siding materials can be installed within 24 inches of the crushed glass area on the firepit.

CLEARANCES

Minimum Ceiling Clearances

Ceiling Clearances: The ceiling height should not be less than 48 inches from the top surface of the firepit.

Rear Wall Clearances

The clearance from the edge of the glass bed in the firepit to any combustible rear wall should not be less than 12 inches.

Side Wall Clearances

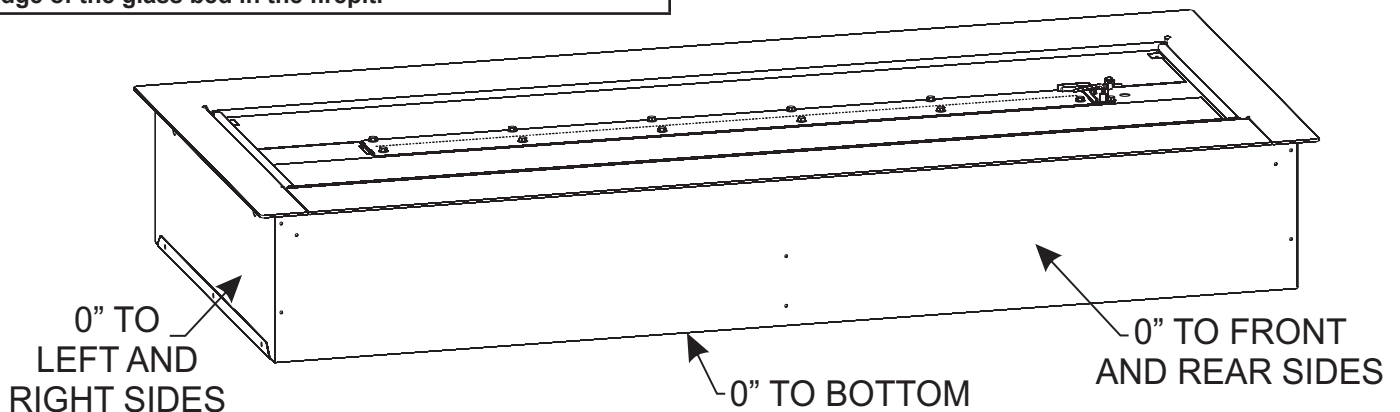
The clearance from the edge of the glass bed in the firepit to any combustible wall should not be less than 3-1/4 inches.

NOTICE: For installations with a rear wall and side wall, refer to **Figures 6 and 9.**

NOTICE: See pages 9 and 10 for additional wall and ceiling clearances to combustibles.

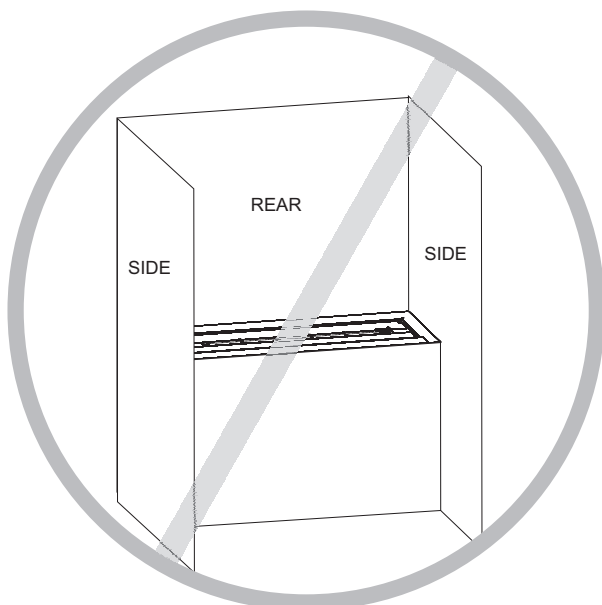
⚠ CAUTION

Vinyl siding must not be installed within 24 inches of the edge of the glass bed in the firepit.



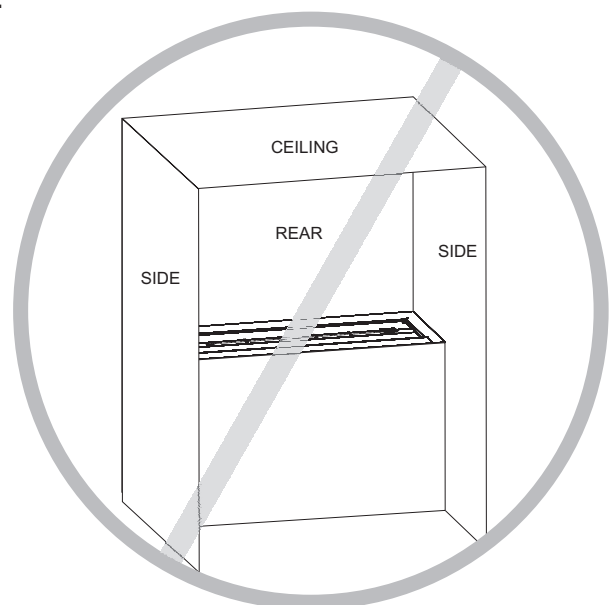
COMBUSTIBLE CLEARANCE REQUIREMENTS

Figure 12



3-wall alcove not allowed.

Figure 13



3-wall alcove with ceiling not allowed.

Figure 14

PLANNING INSTALLATION (CONT'D)

MODEL	GAS FLEX LINE CONNECTION
OL48TP	Use 3/8 inch male flare connection
OL60TP	Use 1/2 inch male flare connection

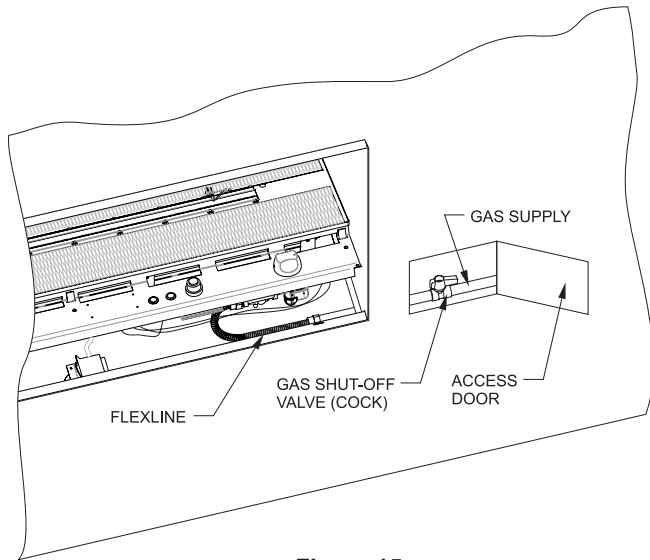


Figure 15

WATER DRAINAGE REQUIREMENT

Provisions must be made to drain water away from the unit. An optional drain pan can be purchased from your Empire Dealer to fit under the firepit. If installing the optional drain pan, it must be installed prior to installing the firepit. For more information, refer to the installation instructions supplied with the drain pan. If this drain is not used, other water drainage is required to flow away from the installed firepit custom base construction. **See Figure 3** for drain hole locations.

ELECTRICAL CONSIDERATIONS (LED Lighted Units Only)

A factory installed junction box is located on the lower right side of the firepit. The junction box and wiring may be relocated to the opposite side of the firepit if desired. Wiring to the junction box must be metal clad or enclosed in a conduit and must be approved for outdoor use. Connect the wiring to an external GFI protected outlet installed near the firepit. Refer to electrical supply section for additional information on pages 13 and 24.

FIREPIT INSTALLATION

ELECTRICAL SUPPLY

FOR FIREPITS WITH LED LIGHTS ONLY

⚠ CAUTION

All wiring should be done by a qualified electrician and shall be in compliance with all local, city and state building codes. Before making the electrical connection, make sure that the main power supply is disconnected. The firepit, when installed, must be electrically grounded in accordance with local codes, or in the absence of local codes, with the National Electrical Code ANSI/NFPA 70 (Latest Edition).

Wiring to the junction box must be metal clad or enclosed in a conduit and must be approved for outdoor use. A connector for the junction box to accommodate 1/2-in. conduit is supplied in the instruction envelope. The firepit receptacle must be connected to an external GFI protected outlet installed near the firepit. **See Figure 16.**

Route the wiring from the external GFI outlet through the conduit to the junction box. Leave approximately 6-in. of wire in the junction box for connection.

Retrieve the receptacle and cover from the instruction envelope. Attach the black wire to the gold screw and white wire to the silver screw of the receptacle. The ground wire should be attached to the green ground screw on the junction box and the receptacle. **See Figure 17.**

Place receptacle in position and attach cover plate. Make sure the cover plate doors open upward. Be sure to test the receptacle to ensure the GFI circuit functions properly. Plug transformer power cord into receptacle, and close the unused receptacle door. **See Figure 17.**

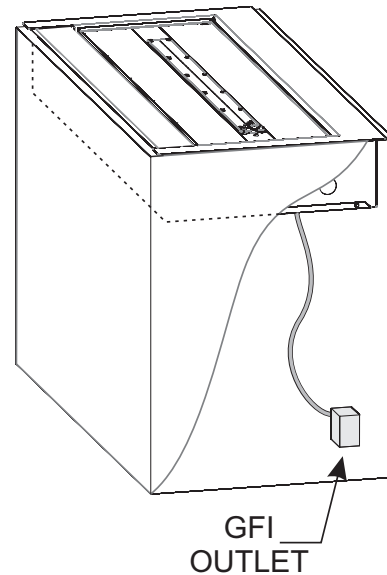


Figure 16

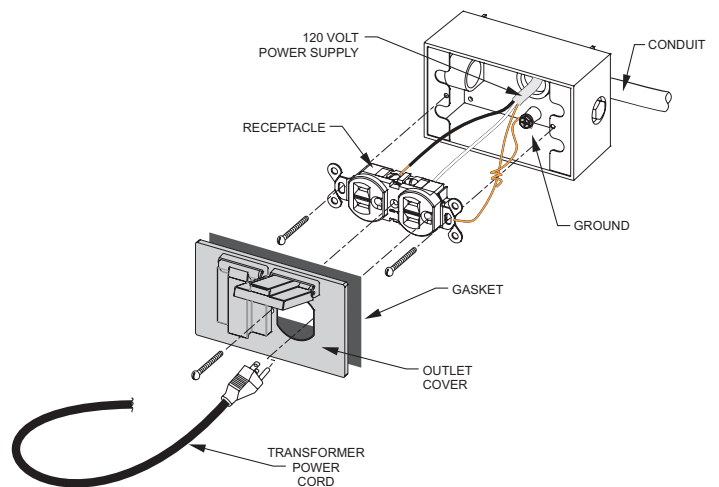


Figure 17

FIREPIT INSTALLATION (CONT'D)

GAS SUPPLY

- Solid fuels shall not be burned in this firepit.
- The maximum gas inlet supply pressure is 11 in. for LP and 7 in. for NAT.
- For firepits with a fixed fuel piping system and equipped with a gas pressure regulator, the required manifold pressure in inches water column: 11 in. for LP and 4.5 in. NAT.
- For firepits with a fixed fuel piping system and equipped with a firepit gas pressure regulator, the firepit and its individual shutoff valve must be disconnected from the gas supply piping system during any pressure testing of that system at test pressures in excess of 1/2 psi (3.5 kPa).
The firepit must be isolated from the gas supply piping system by closing its individual manual shutoff valve during any pressure testing of the gas supply piping system at test pressures equal to or less than 1/2 psi (3.5 kPa).

Check all local codes for requirements, especially for the size and type of gas supply line required.

RECOMMENDED MINIMUM GAS PIPE DIAMETER				
Pipe Length	Schedule 40 Pipe Inside Diameter		Tubing, Type L Outside Diameter	
	Nat.	L.P.	Nat.	L.P.
0-10 feet 0-3 meters	1/2 in. 12.7mm	3/8 in. 9.5mm	1/2 in. 12.7mm	3/8 in. 9.5mm
10-40 feet 4-12 meters	1/2 in. 12.7mm	1/2 in. 12.7mm	5/8 in. 15.9mm	1/2 in. 12.7mm
40-100 feet 13-30 meters	1/2 in. 12.7mm	1/2 in. 12.7mm	3/4 in. 19mm	1/2 in. 12.7mm
100-150 feet 31-46 meters	3/4 in. 19mm	1/2 in. 12.7mm	7/8 in. 22.2mm	3/4 in. 19mm

NOTICE: Check to confirm whether your local codes allow plastic or copper tubing for outdoor use.

NOTICE: Because some municipalities have additional local codes, consult your local authority and installation code.

Installing a Manual Gas Shut-off Valve

Each firepit must have an accessible manual gas shut-off valve located in the vicinity of the unit. Where none exists, or where its size or location is not adequate, contact your local authorized installer for installation or relocation.

Compounds used on threaded joints of gas piping shall be resistant to the action of liquefied petroleum gases. The gas lines must be checked for leaks by the installer. This should be done with a soap solution watching for bubbles on all exposed connections, and if unexposed, a pressure test should be made. To avoid damage to the gas piping, remove all testing solution when testing is complete.

⚠ WARNING

Never use an exposed flame to check for leaks. The firepit must be disconnected from piping at inlet of control valve and pipe capped or plugged for pressure test. Never pressure test with firepit connected; control valve will sustain damage!

A gas valve and ground joint union should be installed in the gas line upstream of the gas control to aid in servicing. It is required by the National Fuel Gas Code that a drip line be installed near the gas inlet. This should consist of a vertical length of pipe connected into the gas line by a tee fitting with a cap on the bottom in which condensation and foreign particles may collect.

The use of the following gas connectors is recommended:

- ANSI Z21.24 Appliance Connectors of Corrugated Metal Tubing and Fittings
- ANSI Z21.45 Assembled Flexible Appliance Connectors of Other Than All-Metal Construction

The above connectors may be used if acceptable by the authority having jurisdiction. The state of Massachusetts requires that a flexible appliance connector cannot exceed three feet in length.

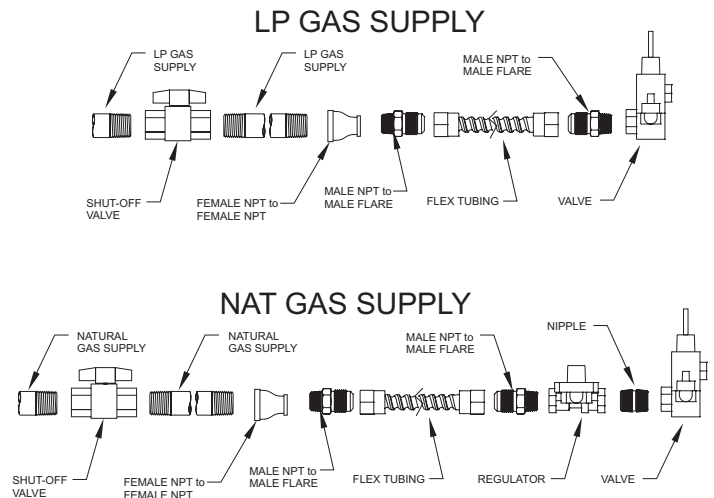


Figure 18

NOTICE: Gas shut-off valve shown. Other valves approved to use with gas allowed.

Flex tubing to valve is pre-installed at the factory. Flare connector is loosely installed for shipping purposes only. An accessible manual gas shut off valve must be installed external to the firepit.

FIREPIT INSTALLATION (CONT'D)

LP-GAS CYLINDER INFORMATION

WARNING

If these instructions are not precisely followed, a fire may occur causing death or serious injury.

Propane Cylinder Specifications

This firepit fireplace can be used with a non-disposable self-contained LP-gas supply system:

- Propane cylinders may be acceptable for use with the fireplace provided they are compatible with the firepit retention means.
- LP-gas supply cylinder must be constructed and marked in accordance with the *U.S. Department of Transportation (D.O.T.) Specifications for LP-Gas Cylinders*, or the *Standard for Cylinders, Spheres and Tubes for Transportation of Dangerous Goods and Commission, CAN/CSA-B339* as applicable.
- LP-gas supply cylinders between 4 and 40 pounds must have an overfill prevention device.
- LP-gas supply cylinder must have a connection device compatible with the connection of the firepit.
- If the firepit is equipped with a CGA No. 600 Cylinder Connection Device, the cylinder must be disconnected when the firepit is not in use.
- If the firepit is to be permanently connected to a gas piping system from a remote supply tank, installation must be in accordance with local codes or, in the absence of local codes, with the *National Fuel Gas Codes ANSI Z223.1/NFPA 54*.
- A dented or rusty cylinder may be hazardous and should be checked by your propane supplier. Never use a cylinder with a damaged valve.
- The OL48TP(10,18)P firepit may be connected to a 20 lb. (9.1 kg) size propane cylinder only. (Not supplied)
- The OL60TP(10,18)P firepit may be used with a 20 lb. (9.1 kg) or 30 lb. (13.6 kg) size propane cylinder only (not supplied).
- The propane cylinder must be provided with a shut-off valve terminating in a propane cylinder valve type QCC1, and a safety relief device having direct communication with the vapor space of the cylinder.
- The cylinder supply system must be arranged for vapor withdrawal and the cylinder shall include a collar to protect the cylinder valve.
- The LP-gas cylinder must be provided with a listed overfill protection device (OPD). Never fill the cylinder beyond 80 percent full.
- Do not store a spare LP-gas cylinder under or near this firepit.
- Use only a pressure regulator and hose assembly that supplies a pressure of 11 in. water column to the firepit and has a QCC1 type fitting.
- Cylinders to be used with this unit must be supplied with a QCC1 cylinder valve. A QCC1 cylinder has a positive seating connection, which will not allow gas flow until a positive seal has been achieved. It is also equipped with an excess flow device. In order to attain full flow to the firepit, the valve must be in the off position when the cylinder valve is turned on.

WARNING

A fire will result if the gas supply hose makes contact with the underside of the fireplace.

LP (Propane) Gas

Attach a cylinder retaining bracket (not supplied) to the base of the cylinder. Then secure to the surface to which it sits. Cylinder should be on a level surface.

Cylinder Retaining Bracket

1. Fasten the bracket to the bottom of the propane bottle using bolt and nut (not supplied).
2. Tighten the lag screw into the mounting surface leaving approximately 1/4 in. of thread above the surface.
3. Slide propane bottle into position so that the bracket slides under the head of the lag screw.
4. Tighten the lag screw onto the bracket.
5. For fastening to a concrete surface a concrete anchor will be required. (Not supplied)

Cylinder Connection: Ensure the gas regulator hose is kink free. Remove the cap or plug from the cylinder fuel valve. Insert the black QCC1 regulator nipple onto the QCC1 fuel valve. Hand tighten clockwise. Do not use tools. Leak test all joints prior to using the firepit. A leak test must be performed annually and each time a cylinder is hooked up or if a part of the gas system is replaced. If this firepit is to be connected directly to a house propane gas supply line, follow the instructions for the natural gas hook-up.

Safety Considerations

- Make sure cylinder valve is in its full off position. (Turn clockwise to stop).
- Check cylinder valve features to ensure it has proper external mating threads. (Cylinder Valve Marked: USE WITH TYPE 1)
- Inspect hose for damage. Never attempt to use damaged or plugged equipment. See your local LP Gas Dealer for repairs.
- When connecting regulator assembly to the cylinder valve, hand tighten black QCC1 nut clockwise to a positive stop. DO NOT use a wrench to tighten. Use of a wrench may damage the quick closing coupling nut and result in a hazardous condition.
- Locate the hose out of pathways where people may trip over it or in areas where the hose may be subject to accidental damage.
- Open cylinder valve fully (counter-clockwise). Turn the shut off valve at the unit slowly to the on position and use a soapy water solution to check all connections for leaks as indicated in the diagrams before attempting to light the firepit. If a leak is found, turn tank valve off and do not use the firepit until repairs can be made.

FIREPIT INSTALLATION (CONT'D)

LP-GAS CYLINDER INFORMATION

Enclosures For LP (Propane) Gas Supply Systems

Enclosures for LP-gas supply cylinders shall be ventilated by openings at the level of the cylinder valve and at floor level. The effectiveness of the opening(s) for purposes of ventilation shall be determined with the LP-gas supply cylinder(s) in place. This shall be accomplished by one of the following.

- a. One side of the enclosure shall be completely open; or
 - b. For an enclosure having four sides, a top and a bottom:
 1. At least two ventilation openings at cylinder valve level shall be provided in the side wall, equally sized, spaced at 180 degrees (3.14 rad), and unobstructed. Each opening shall have a total free area of not less than 1/2 sq in per pound (2.3 sq. cm/kg) of stored fuel capacity and not less than a total free area of 10 sq in (64.5 sq. cm).
 2. Ventilation opening(s) shall be provided at floor level and shall have a total free area of not less than 1/2 sq in per pound (3.2 sq. cm/kg) of stored fuel capacity and not less than a total free area of 10 sq in (64.5 sq. cm). If ventilation openings at floor level are in a side wall, there shall be at least two openings. The bottom of the openings shall be at floor level and the upper edge no more than 5 in. (127 mm) above the floor. The openings shall be equally sized, spaced at 180 degrees (3.14 rad) and unobstructed.
 3. Every opening shall have minimum dimensions so as to permit the entrance of a 1/8 in. (3.2 mm) diameter rod.
 4. There shall be a minimum clearance of 2 in. (51 mm) between the lower surface of the floor of the LP-gas supply cylinder enclosure and the ground.
- Cylinder valves shall be readily accessible for hand operation. A door on the enclosure to gain access to the cylinder valves is acceptable, provided it is non-locking and can be opened without the use of tools.
 - The design of the fireplace shall be such that (1) the LP-gas supply cylinder(s) can be connected, disconnected and the connections inspected and tested outside the cylinder enclosure; and (2) those connections which could be disturbed when installing the cylinder(s) in the enclosure can be leak tested inside the enclosure;
 - Ventilation openings in sidewalls shall not communicate directly with other enclosures of the firepit.

The enclosure for the LP-gas cylinder shall isolate the cylinder from the burner compartment to provide:

- a. Shielding from heat radiation;
- b. A flame barrier; and
- c. Protection from foreign material.

Be certain to mount the LP gas cylinder on a flat surface and restrain it using a cylinder retaining bracket to prevent it from tipping.

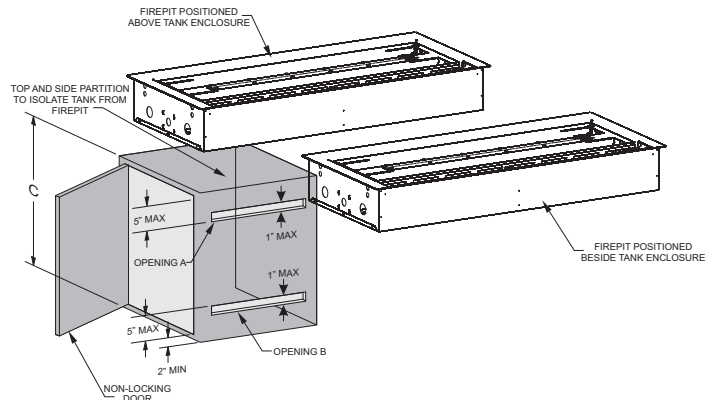


Figure 19

Cylinder Size	Opening Area A	Opening Area B	Recommended Dimension C
20lb (9.1kg)	20 sq.in. (130cm ²)	10 sq.in. (65cm ²)	34 in. (863mm)
30lb (13.6kg)	30 sq.in. (195cm ²)	15 sq.in. (100cm ²)	34 in. (863mm)

NOTICE: There shall be a minimum clearance of 2 in. (51 mm) between the lower surface of the floor of the LP-gas supply cylinder enclosure and the ground.

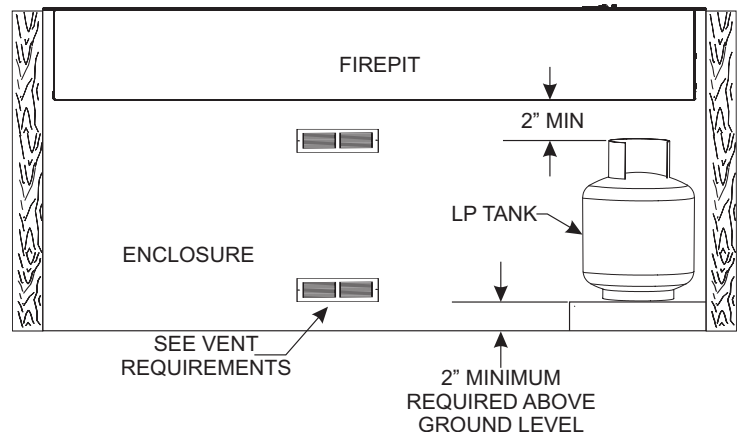


Figure 20

FIREPIT INSTALLATION (CONT'D)

FIREPIT ENCLOSURE REQUIREMENTS

UNPACKING THE FIREPIT

⚠ CAUTION

When unpacking the firepit use gloves to protect from sharp edges.

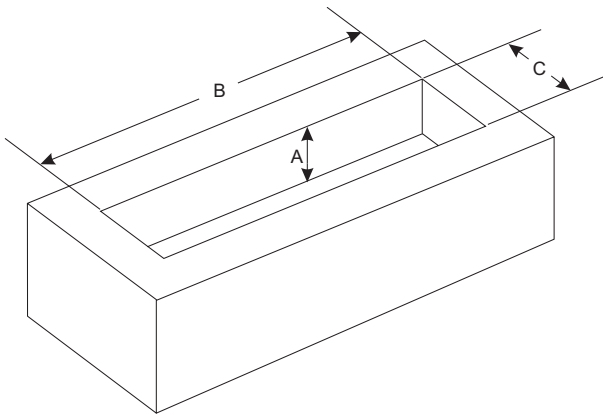
The contents include the firepit unit, instruction packet, hardware package, and two burner prop supports which are located under the firepit for shipping purposes only.

ENCLOSURE CONSTRUCTION

The firepit requires a custom built enclosure for support. Combustible or non-combustible materials can be used. Minimum internal enclosure dimensions are provided. See Figure 21.

Figures 22 and 23 give basic ideas for enclosure construction.

NOTICE: Measure firepit dimensions and verify framing or other support methods before enclosure construction begins.



	OL48TP		OL60TP	
	Internal Enclosure Dimensions (inches)			
Height A	*7-1/2 Min.		*7-1/2 Min.	
Width B	51-3/4 Min.	52-1/2 Max.	63-3/4 Min.	64-1/2 Max.
Depth C	22-5/8 Min.	23-1/2 Max.	22-5/8 Min.	23-1/2 Max.

***NOTICE:** Additional height will be required, if the drain pan accessory is installed.

Figure 21 - Internal Enclosure Dimensions

Before completing the enclosure and installing firepit, provide a path for water drainage out of the firepit.

Determine if the optional accessory drain pan will be used. If the drain pan will be installed, follow the instructions provided with the drain pan kit to install it at this point.

INSTALLATION

1. Choose installation location.
2. Construct enclosure. See Figures 21, 22, and 23 for typical construction options.
3. Provide electrical service if LED's are included.
4. Provide for gas supply connections or LP tank storage.

5. If installation includes LP tank storage under the firepit, use the optional BRB Vent Kit or refer to the LP tank storage requirements on pages 15 and 16. See Figure 19.

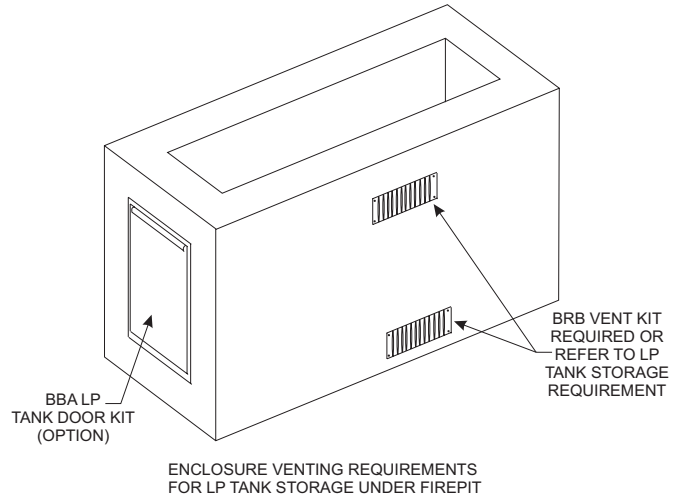


Figure 22

6. The photograph below shows a typical firepit installation for reference only. See Figure 23.



Figure 23

FIREPIT INSTALLATION (CONT'D)

FIREPIT ENCLOSURE REQUIREMENTS

7. To connect the gas line and install the electrical connection, the burner assembly must be tilted upward in the firepit.
 - a. Remove the control door by opening the door and lifting the door upward to disengage the slots on the ends of the door from the pivot bolts.
 - b. Remove the (4) filler strips (Index No.'s 31 and 32 illustrated on page 29), by simply lifting them up from the burner tray.
 - c. Remove the two control door pivot bolts using a 1/8-inch hex allen wrench. **See Figure 24.**

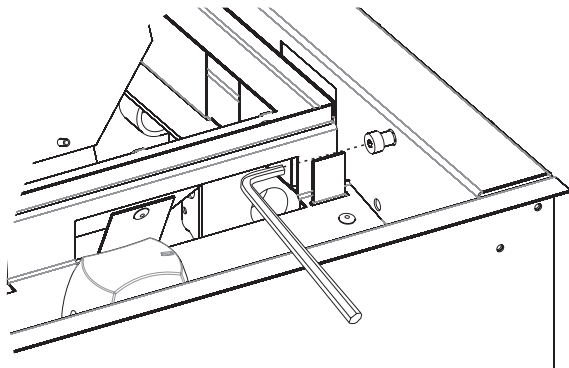


Figure 24

- d. Using gloves, remove the two expanded metal burner cover screens from the burner tray, then set aside.
 - e. Remove two screws from front corners of the control panel with a 5/16-inch hex head driver. **See Figure 25.**

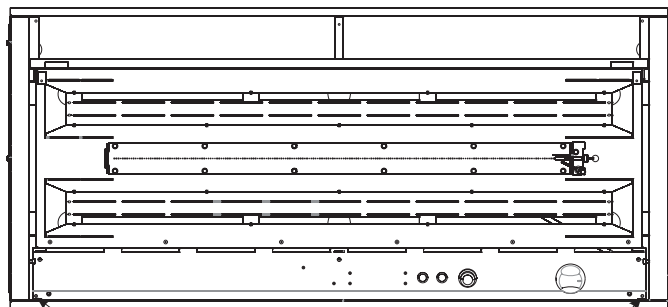


Figure 25

- f. Lift front of burner assembly and tilt upwards and toward the back of the firepit. Retrieve the two prop tools and place one each side against the front corners of the cabinet bottom and under the front corners of the control panel. **See Figure 26.**

NOTICE: Use care when raising the burner tray assembly to avoid scratching the stainless interior of the firepit.

NOTICE: Prop tools are located under the firepit for shipping purposes only.

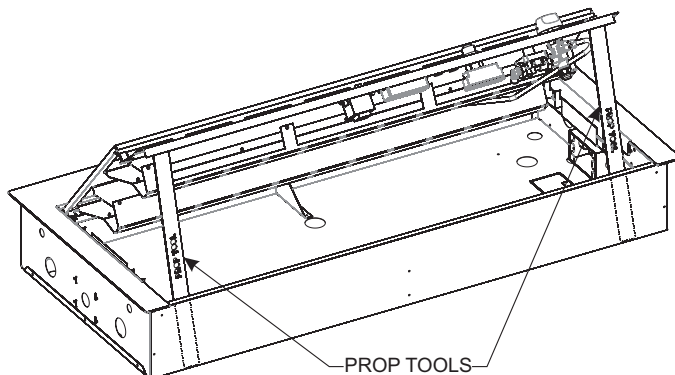


Figure 26

8. Install gas and electrical supplies to firepit. See page 14 for gas supply requirements. See page 13 for electrical supply requirements. For models with LED lights, be sure to plug the transformer power cord plug into the junction box receptacle. **See Figure 17.** For ease of installation, the gas and electrical supply are located on the valve side of the firepit. Both may be relocated to enter the opposite side of the firepit.
9. Remove plastic protective film from the firepit outer top, control door, and filler trim pieces.

FIREPIT INSTALLATION (CONT'D)

FINISHING

1. After gas and electrical hookup is completed, lower and secure the burner assembly (leave two prop tools in bottom of firepit for future use) with the two screws removed in **Figure 25**.
2. Install the (4) filler strips. Place the two short side filler strips in first, then install the long front and rear filler strips. The long filler strips will interlock at the ends with the side filler strips. See **Figure 27a**.

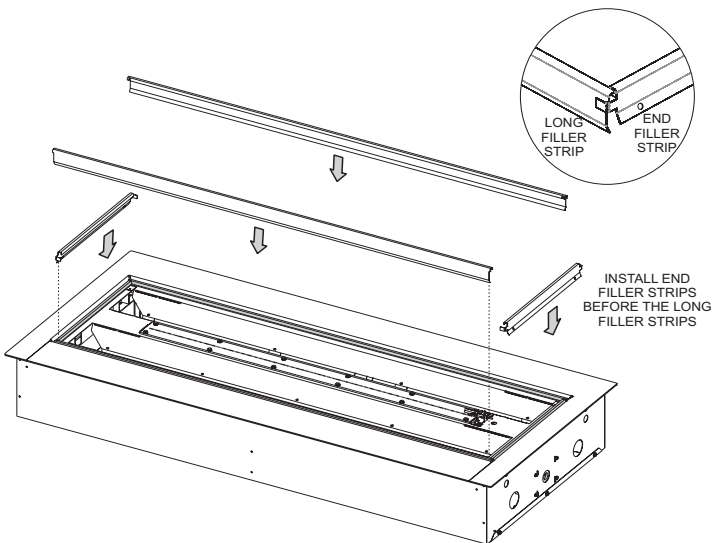


Figure 27a

3. If installing the optional glass wind panel kit, do not install the filler strips in step 2. Refer to **Figure 27b** for glass wind panel kit installation.

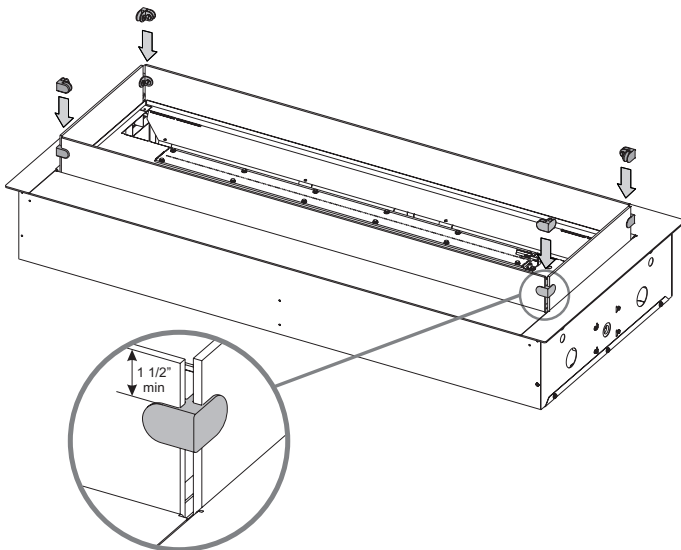


Figure 27b

4. Reinstall the pivot bolts removed in **Figure 24** and reinstall the control door.

5. Unscrew the ignitor button and install the AA battery provided in the instruction envelope prior to closing the control door. (Note Battery Polarity) See **Figure 28**.

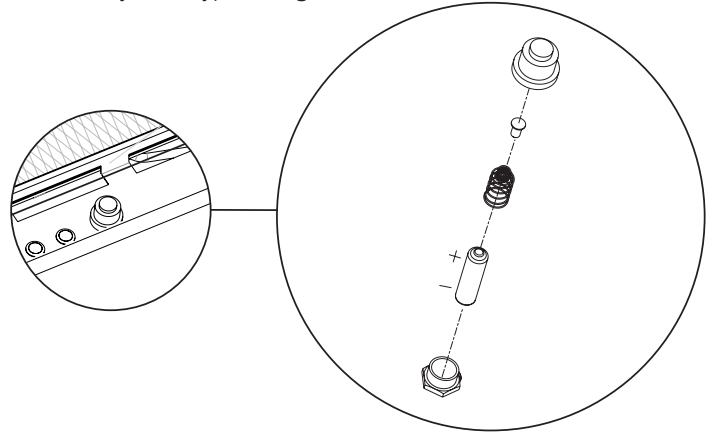


Figure 28

6. Using gloves, replace the two expanded metal screens removed in Step 7.
7. After all gas connections and electrical hook-ups (if applicable) have been made, check for proper lighting of the burner, and LED light operation (if applicable). Refer to the lighting and operation instructions on pages 21 to 23.

FIREPIT INSTALLATION (CONT'D)

FINISHING

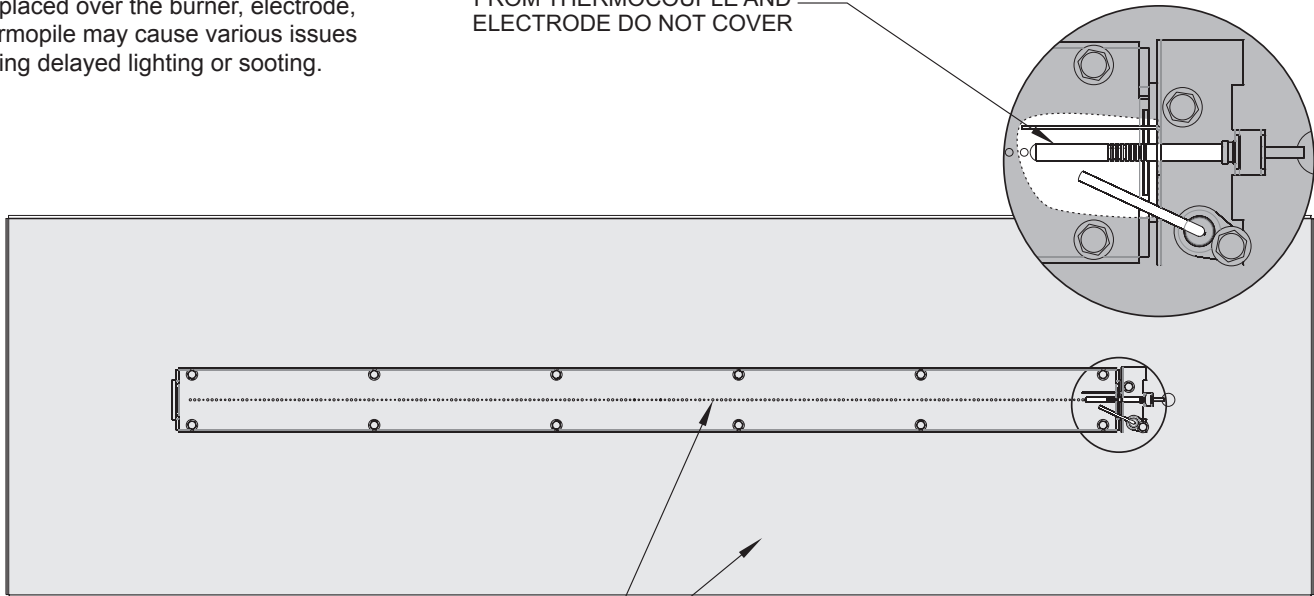
Crushed Glass Installation

Ensure the burner cover screens are still properly installed, fully covering the LED openings. Place decorative crushed glass evenly over the burner and screens (enough media to cover approximately 7 sq. ft. on OL48TP, or 8 sq. ft. on OL60TP models). (See page 6 for media requirements). Ensure coverage is even and not thicker in places.

NOTICE: Excessive amounts of crushed glass placed over the burner, electrode, or thermopile may cause various issues including delayed lighting or sooting.

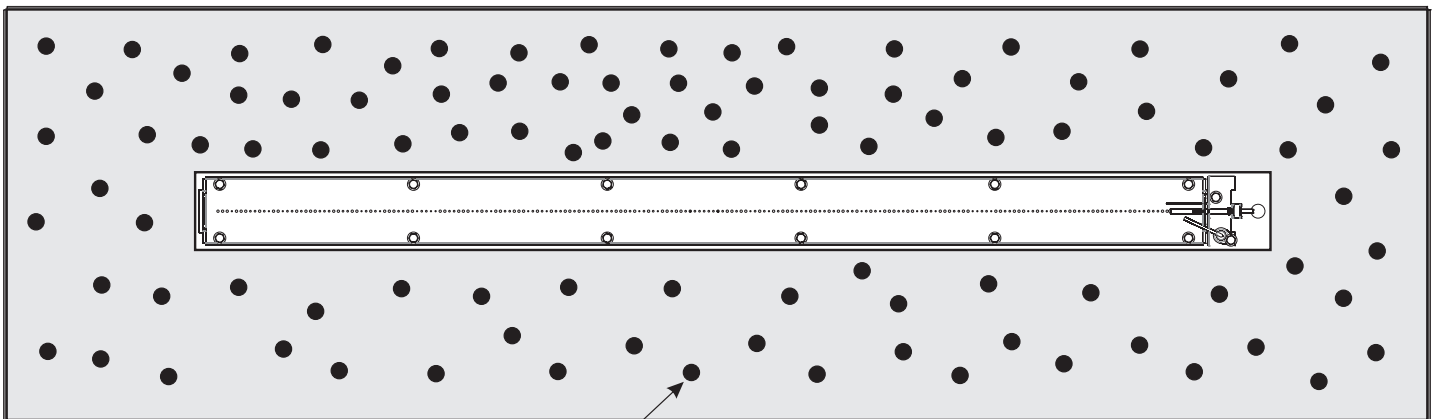
Some pieces of broken glass may be larger than others. It is fine to use these pieces, but not over the burner or flame area. **See Figure 29.** Decorative glass droplets may be added as an enhancement, but can not be used near or over the burner. **See Figure 30.** Neither glass nor droplets may be placed over the electrode. (See page 6 for media accessories and requirements).

SPREAD CRUSHED GLASS AWAY FROM THERMOCOUPLE AND ELECTRODE DO NOT COVER



COVER ENTIRE BURNER AND SCREENED AREAS WITH CRUSHED GLASS

Figure 29



IF DESIRED GLASS DROPLETS MAY BE ADDED IN AREA SHOWN - DO NOT USE DROPLETS ON BURNER

Figure 30

LIGHTING INSTRUCTIONS

FOR YOUR SAFETY READ BEFORE LIGHTING

⚠ WARNING

If you do not follow these instructions exactly, a fire or explosion may result causing property damage, personal injury, or loss of life.

- A. **BEFORE LIGHTING**, smell around the appliance area for gas. Be sure to smell next to the floor because some gas is heavier than air and will settle on the floor.
- WHAT TO DO IF YOU SMELL GAS**
- Do not try to light any appliance.
 - Do not touch any electrical switch.
 - Do not use any phone in your building.
 - Immediately call your gas supplier from a neighbor's phone. Follow the gas supplier's instructions. If you can not reach your gas supplier, call the fire department.
- B. Use only your hand to push in or turn the gas control knob. Never use tools. If the knob will not push in or turn by hand, don't try to repair it, call a qualified service technician. Force or attempted repair may result in a fire or explosion.
- C. Do not use this appliance if any part has been under water. Immediately call a qualified service technician to inspect the appliance and to replace any part of the control system and any gas control which has been under water.

LIGHTING INSTRUCTIONS

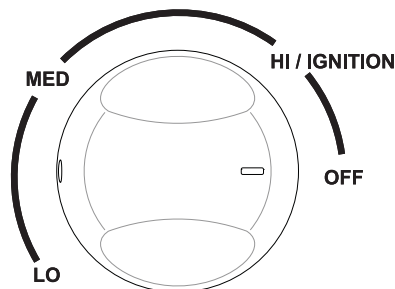
This fireplace is for outdoor use only.

Read all instructions before lighting.

Any accessory weather cover(s) must be removed before use.


Remove any debris – including leaves and insects – from the burner area and the bed of crushed glass.

1. Before turning on the main gas supply, press the ignitor button. Verify that the ignitor is sparking above the burner between the electrode and the thermocouple.
2. Turn on the main gas supply to fireplace.
3. With the gas control knob in the "OFF" position press and hold the ignitor button. Lightly press and rotate the gas control knob to the HI/IGNITION position. Press down and hold down the gas control knob.
If the burner fails to light after 5 seconds, turn gas control knob to OFF. Wait 5 minutes to dissipate gas before attempting to relight.
4. Once the burner ignites, release the ignitor button but continue to press down on the gas control knob for 30 seconds. (This allows the thermocouple (flame sensor) to heat up, confirming that the firepit is burning.)
If flame goes out, turn knob to OFF, wait 5 minutes, repeat lighting sequence starting with step 3.

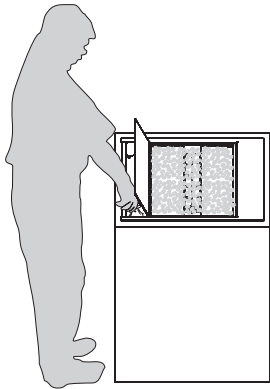


Gas Control Knob shown in "OFF" position

TO TURN OFF GAS TO APPLIANCE

1. Open control door.
2. Push in gas control knob slightly and turn clockwise  to "OFF". Do not force.
3. Turn off all electric power to appliance if service is to be performed.
4. Close control door.

MAIN BURNER FLAME CHARACTERISTICS



PROPER LIGHTING POSITION

Figure 31



NEVER LEAN OVER FIREPIT
WHEN LIGHTING BURNER

Figure 32

⚠ WARNING

NEVER operate firepit with an optional weather cover in place.

In normal operation on high after 10 to 15 minutes, the flame appearance should be several tongues of yellow flames.

NOTICE: All flames will be random by design, flame height will go up and down.

During manufacture, fabricating, and shipping, various components of this firepit are treated with oils, films, or bonding agents. These are not harmful, but may produce smoke and smells as they are burned off during the initial operation of the firepit. This is normal.

The initial break-in operation should last 2-3 hours with the burner at the highest setting. Any odors remaining after this initial break-in will disappear with continued use.

Flames from the main burner should be visually out before the weather cover is installed.

If burner flame pattern is incorrect

- See Troubleshooting, page 26.

Flame Pattern

The main burner flame will be mostly yellow.

Flame Ignition and Extinction

When the main burner is ignited it may take up to a minute for the full flame pattern to develop.

When the main burner is extinguished it may take up to a minute for the flames to disappear. It is normal to have the flames burn down near the burner, as the remaining gas is burned.

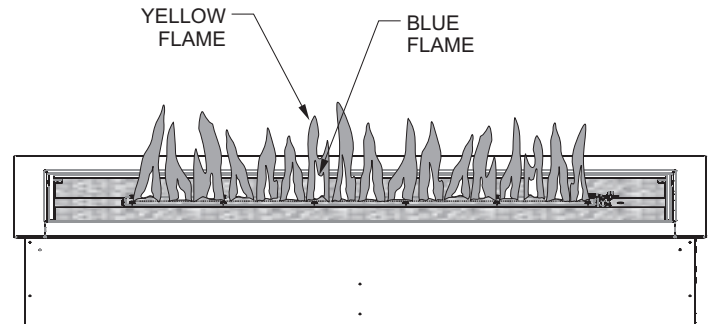


Figure 33 - Correct Flame LP

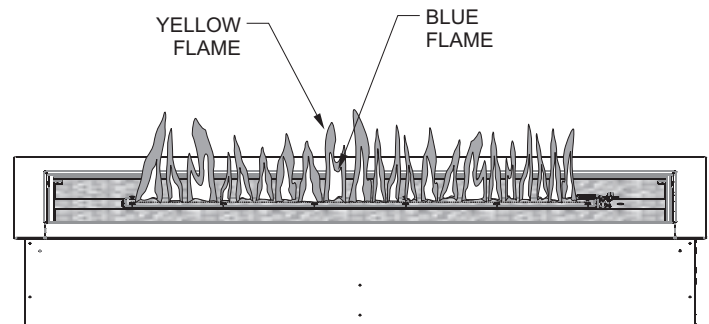


Figure 34 - Correct Flame NAT

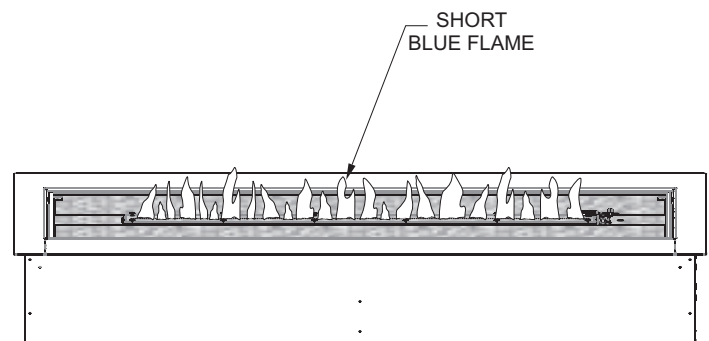


Figure 35 - Incorrect Short Blue Flame

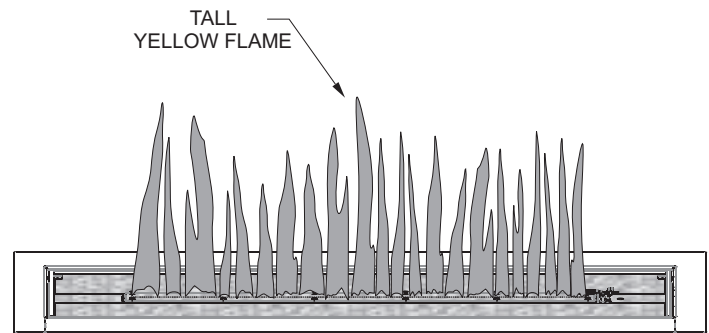


Figure 36 - Incorrect Tall Yellow Flame

OPERATION INSTRUCTIONS - LED LIGHTS

LED BRIGHTNESS BUTTON

Press the Brightness Button to activate the LED lights and to cycle LED Intensity from High to Low to Off.

- 1 – On – High
- 2 – Medium
- 3 – Low
- 4 – Off

Use the Brightness Button in conjunction with the Mode Button to create unique looks.

If no change is made to the LED lights, they will turn off automatically after two hours.

Lights will remember the last mode when turned on again. (After a power failure, you must reset the lights to the desired mode.)

Turn off the LED Lights when not in use.

LED MODE BUTTON

Press the Mode Button to adjust LED light system from Automatic Color Changes to Individual Colors.

- 1 – Auto-cycle – Rapid
- 2 – Auto-cycle – Gradual
- 3 – Pause Auto-cycle
- 4 – Deep Blue
- 5 – Royal Violet
- 6 – Cardinal Red
- 7 – Sea Green
- 8 – Forest Green
- 9 – Tranquil Blue
- 10 – White

If the LEDs are turned off using the Left button, the chosen color or cycle will continue when the LEDs are turned back on.

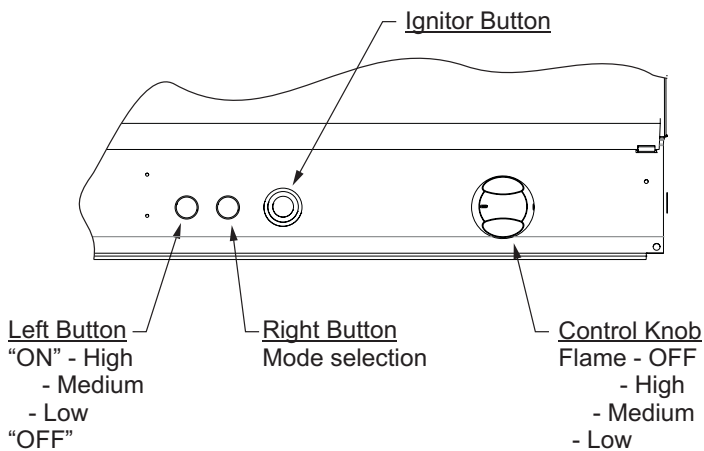


Figure 37 - Controls

NOTICE: LED lights will automatically turn off after two hours, if no activity. Pushing left button will turn LEDs on using last mode selected.

WIRING

Label all wires prior to disconnection when servicing controls. Wiring errors can cause improper and dangerous operation. Verify proper operation after servicing.

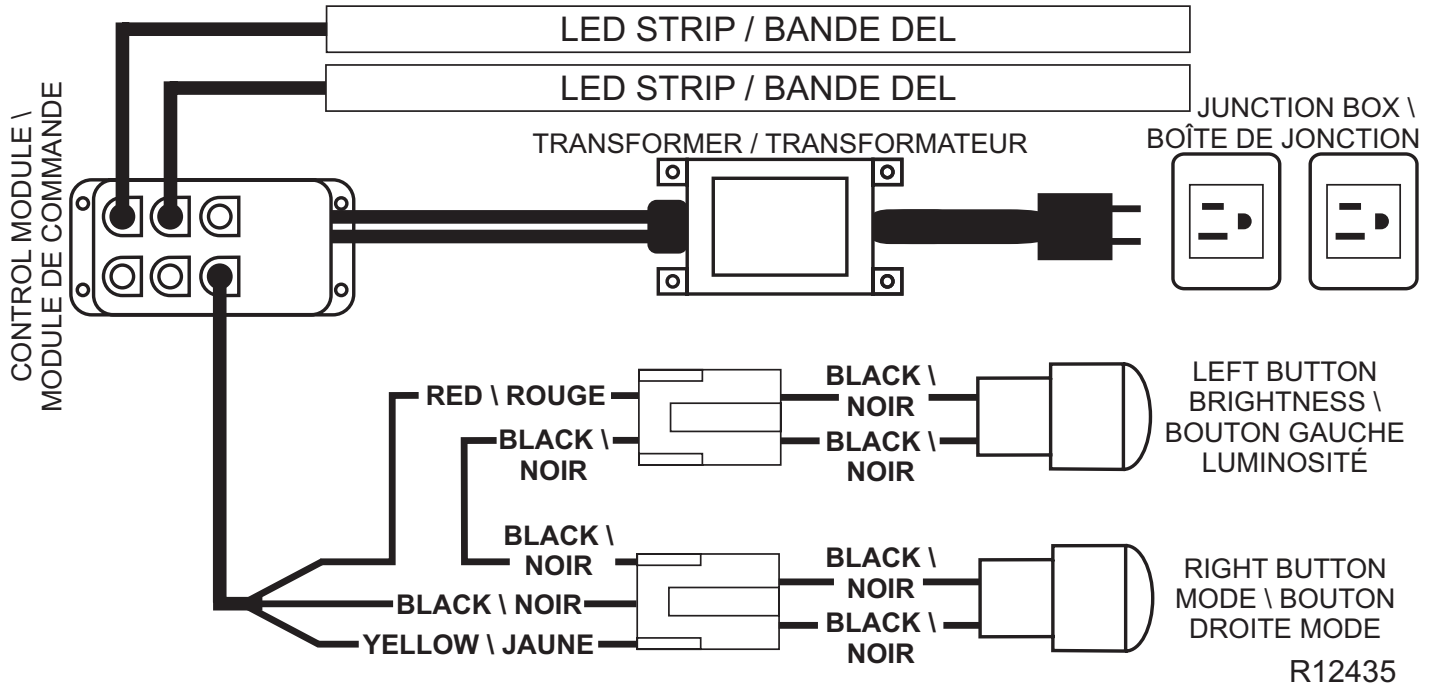


Figure 38 - LED System Wiring

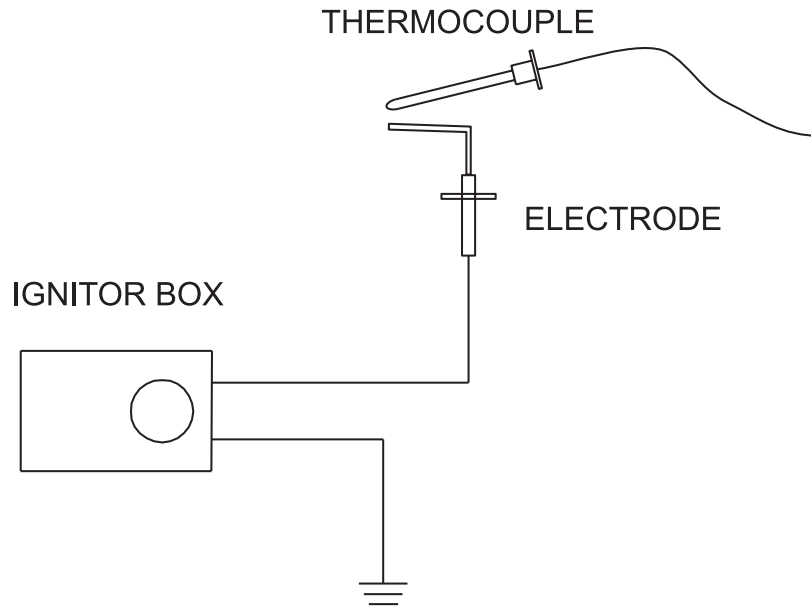


Figure 39 - Electronic Ignitor System Wiring

MAINTENANCE

Keep the control compartment and burner area clean.

Always keep the firepit area clear and free from combustible materials, gasoline, and other flammable vapors and liquids.

Never obstruct the flow of combustion and ventilation air. Keep the front of the firepit clear of all obstacles and materials.

If the burner assembly needs to be serviced allow the firepit to cool then remove the crushed glass and glass wind screen panels (if applicable), prior to servicing. It is recommended to use a clean vacuum for removal of the crushed glass. Retain glass for reuse.

Cleaning Instructions

This firepit is built using high-grade stainless steel to resist rust-through. In outdoor applications, all stainless steel will develop a dull patina and, depending on the local environment and the materials used in the installation, may develop some surface oxidation (rust). This does not affect the performance of the firepit, and does not require any action to correct. If you prefer keeping your firepit exterior looking factory-fresh, clean it as required with nonabrasive stainless steel cleaner.

When installation application includes highly acidic applications such as mortar or stone etching, we recommend that the firepit be cleaned with a non-abrasive stainless steel cleaner immediately.

WARNING

**Do not use Ammonia based or abrasive cleaners on glass.
Do not attempt to clean glass when glass is hot.**

Periodic Cleaning – Refer to parts diagram for location of items discussed below.

- Do not use cleaning fluid to clean any part of the firepit.
- Over time the crushed glass may break down into small pieces that could clog the main burner ports. Remove fine glass particles from burner ports. Replace with new crushed glass.

Annual Cleaning/Inspection – Refer to parts diagram for location of items discussed below.

- Inspect and clean burner air intake hole. Remove lint or particles with vacuum or brush. Failure to keep air intake hole clean will result in sooting and poor combustion.
- Inspect and clean all burner ports. Brush crushed glass away from burner and spray air from a can down the ports.
- Inspect ignitor and thermocouple and clean with damp paper towel.
- Verify flame pattern for proper operation.
- Verify smooth and responsive ignition of main burner.
- Spiders or other small insects may build webs or nests inside and on the burner, obstructing air flow. Fire, or flashback, can occur in and/or around the obstruction and cause an unsafe condition and damage to the firepit. To reduce risk, inspect the burner at least twice monthly when spiders are active, and remove any nests or webs. If the firepit has been unused for an extended period of time, inspect the burner and firepit before use.

TROUBLESHOOTING

SYMPTOMS - POSSIBLE CAUSES AND CORRECTIONS

Turn firepit OFF and allow to cool before servicing. Only a qualified service person should service and repair the firepit.

- 1. Firepit produces unwanted odors.**
 - a. Firepit burning vapors from unremoved plastic film, scented candles and torches, glues, etc. - Ventilate area. Stop using odor causing products while firepit is in operation.
 - b. Gas leak - Locate and correct all leaks.
- 2. Firepit shuts off during use. (Burner is off.)**
 - a. Too much crushed glass under thermopile.
 - b. Low line pressure - Contact local gas company.
 - c. Defective flame sensor - Replace thermocouple.
 - d. Strong wind blew flame off sensor for extended time. Relight burner. If this occurs frequently, optional wind deflector glass kit may help. See accessories on page 6.
- 3. Electrode does not spark or click when ignitor is pushed**
 - a. Check battery orientation, or replace battery.
 - b. Clear area around electrode of crushed glass, etc.
 - c. Igniter ground wire loose or detached from ignitor.
 - d. Electrode wire loose or detached from ignitor.
 - e. Check the distance between the thermopile and electrode tip. This distance must be set at $3/16" \pm 1/16"$.
 - f. Wiring problem. Fix or replace electrode assembly.
 - g. Electrode broken. Replace electrode assembly.
 - h. Faulty ignitor. Replace ignitor.
- 4. Gas odor even when control knob is in OFF position.**
 - a. Turn off main gas shutoff and call a qualified installer.
 - b. Gas leak - Locate and correct all leaks.
 - c. Control valve defective - Replace control valve.
- 5. Burner does not light.**
 - a. Not holding down control knob long enough.
 - b. Clear crushed glass from under the thermopile.
 - c. Clean and/or replace thermocouple.
- 6. Burner does not stay lit.**
 - a. Burner orifice clogged - Clean burner or replace main burner orifice.
 - b. Inlet gas pressure is too low - Contact qualified service person.
- 7. If burning at main burner orifice occurs (a loud, roaring blow torch noise).**
 - a. Turn off firepit and contact a qualified service person.
 - b. Manifold pressure is too low - Contact local gas company.
 - c. Burner orifice clogged - Clean burner or replace burner orifice.
- 8. Firepit produces a whistling noise when main burner is lit.**
 - a. Turning control knob to HIGH position when main burner is cold - Turn control knob to LOW position and let warm up for a minute.
 - b. Air in gas line - Operate burner until air is removed from line. Have gas line checked by local gas company.
 - c. Dirty or partially clogged burner orifice - Clean burner or replace burner orifice.
- 9. Firepit produces soot or backfires.**
 - a. Gas quality is bad - Contact your local gas supplier immediately.
- 10. Firepit gas pressure is low.**
 - a. Contact your local gas supplier immediately.

MASTER PARTS DISTRIBUTOR LIST

To Order Parts Under Warranty, please contact your local Empire dealer. See the dealer locator at www.empirecomfort.com. To provide warranty service, your dealer will need your name and address, purchase date and serial number, and the nature of the problem with the unit.

To Order Parts After the Warranty Period, please contact your dealer or one of the Master Parts Distributors listed below. This list changes from time to time. For the current list, please click on the Master Parts button at www.empirecomfort.com. Please note: Master Parts Distributors are independent businesses that stock the most commonly ordered Original Equipment repair parts for Heaters, Grills, and Fireplaces manufactured by Empire Comfort Systems Inc.

Dey Distributing

1401 Willow Lake Boulevard
Vadnais Heights, MN 55101

Phone: 651-490-9191

Toll Free: 800-397-1339

Website: www.deydistributing.com

Parts: Heater, Hearth and Grills

F. W. Webb Company

200 Locust Street
Hartford, CT 06114

Phone: 860-722-2433

Toll Free: 800-243-9360

Fax: 860-293-0479

Toll Free Fax: 800-274-2004

Websites: www.fwwebb.com & www.victormfg.com

Parts: Heater, Hearth and Grills

East Coast Energy Products

10 East Route 36
West Long Branch, NJ 07764

Phone: 732-870-8809

Toll Free: 800-755-8809

Fax: 732-870-8811

Website: www.eastcoastenergy.com

Parts: Heater, Hearth and Grills

HOW TO ORDER REPAIR PARTS

Parts Not Under Warranty

Parts can be ordered through your Service Person, Dealer, or a Master Parts Distributor. See this page for the Master Parts Distributors list. For best results, the **service person or dealer** should order parts through the distributor. Parts can be shipped directly to the **service person/dealer**.

Warranty Parts

Warranty parts will need a proof of purchase and can be ordered by your Service Person or Dealer. Proof of purchase is **required** for warranty parts.

All parts listed in the Parts List have a Part Number. When ordering parts, first obtain the Model Number and Serial Number from the name plate on your equipment. Then determine the Part Number (**not** the Index Number) and the Description of each part from the following illustration and part list. Be sure to give all this information . . .

Fireplace Model Number _____ Part Description _____

Fireplace Serial Number _____ Part Number _____

Type of Gas (Propane or Natural) _____

Do not order bolts, screws, washers or nuts. They are standard hardware items and can be purchased at any local hardware store.

Shipments contingent upon strikes, fires and all causes beyond our control.

OL48TP AND OL60TP PARTS LIST

USE ONLY MANUFACTURER'S REPLACEMENT PARTS. USE OF ANY OTHER PARTS COULD CAUSE INJURY OR DEATH.

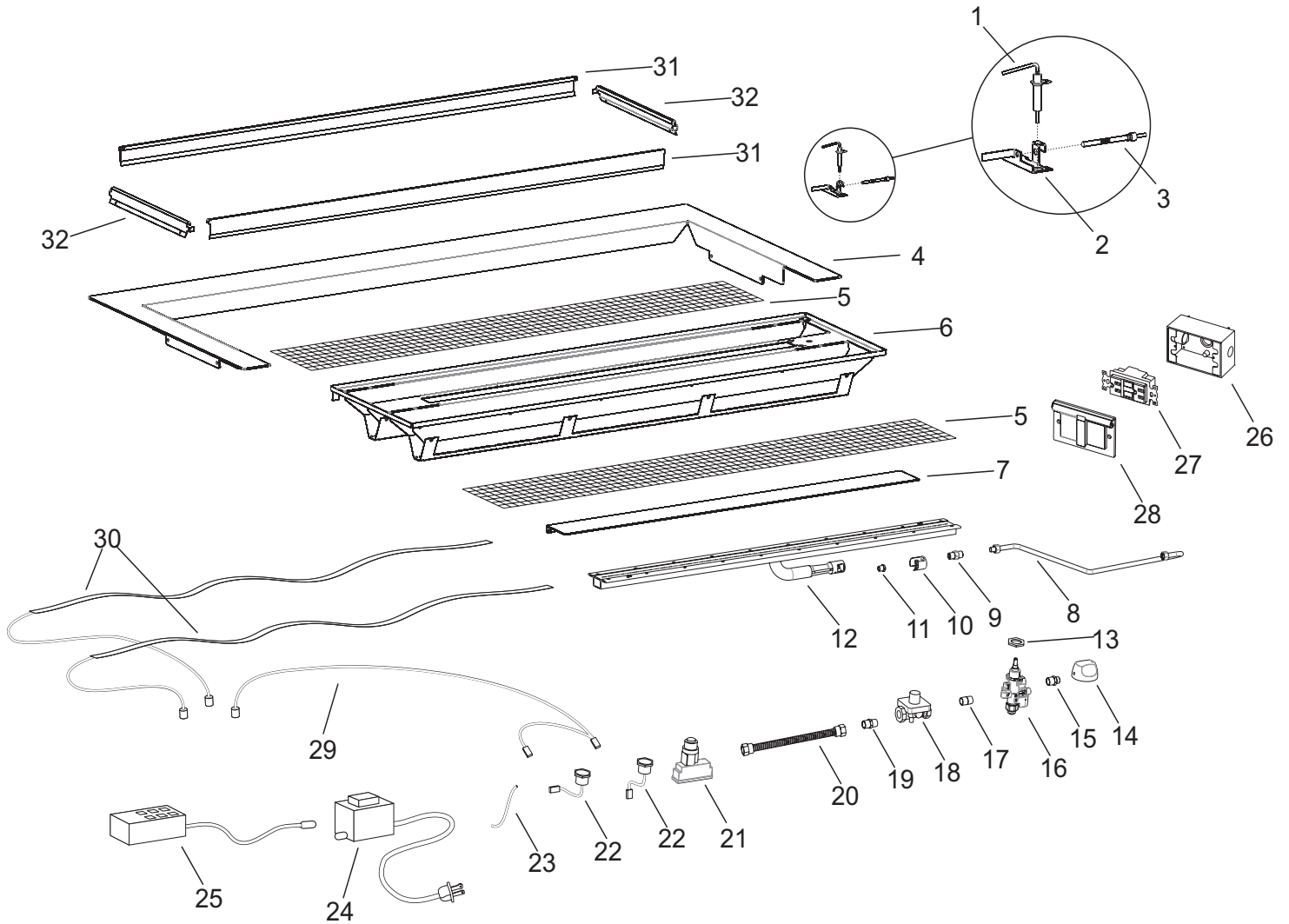
Index No.	Part No.	MODEL - OL48TP	Qty Req	
		Description	NAT	LP
1	R12388	ELECTRODE AND WIRE ASSEMBLY	1	1
2	37767	THERMOCOUPLE BRACKET	1	1
3	R685	THERMOCOUPLE, 22 IN	1	1
4	37789	OUTER TOP	1	1
5	R11802	COVER SCREEN, LIGHTS	2	2
6	37818	BURNER PLATE ASSEMBLY	1	1
7	37791	CONTROL DOOR	1	1
8	33258	TUBING ASSEMBLY SUPPLY	1	1
9	P271	FITTING, ORIFICE	1	1
10	R10808	AIR SHUTTER, STAINLESS	1	1
11	P282	ORIFICE #24 (NAT)	1	0
11	P181	ORIFICE #43 (LP)	0	1
12	37816	BURNER WELDED ASSEMBLY	1	1
13	R1652	NUT LOCK (VALVE)	1	1
14	B101848	GAS CONTROL KNOB	1	1
15	R7195	CONNECTOR, BRASS MALE	1	1
16	R11916	VALVE (LP) MANUAL	0	1
16	R11829	VALVE (NAT) MANUAL	1	0
17	R8898	NIPPLE, 3/8 X 3/8 X 1 BLACK IRON (NAT)	1	0
18	R7160	REGULATOR, 4.5 W.C. (NAT)	1	0
19	R10882	ELBOW, 90 DEGREE BRASS 3/8 FLARE X 3/8 NPT	1	1
20	B101393	FLEX LINE - YELLOW	1	1
21	B072218	IGNITOR, ELECTRONIC	1	1
22	R11921	SWITCH, BUTTON	2	2
23	R11932	WIRE, IGNITOR GROUND	1	1
24	R11920	TRANSFORMER, LED	1	1
25	R11919	CONTROL MODULE, LED	1	1
26	R11942	JUNCTION BOX	1	1
27	R3492	RECEPTACLE 3 - PRONG	1	1
28	R11943	COVER JUNCTION BOX	1	1
29	R11924	WIRE HARNESS, SWITCH	1	1
30	R11918	LIGHT STRIP, LED	2	2
31	37785	FILLER STRIP (48)	2	2
32	37784	FILLER STRIP, SIDE	2	2
N/S	R11843	SCREW 1/4 IN SHOULDER 10-24 X 3/8	2	2
N/S	R11891	VENTURI SCREEN	1	1
N/S	37880	PROP TOOL	2	2
N/S	R11955	PLUG CONTROL MODULE (INCLUDED WITH #25)	3	3

N/S - NOT SHOWN

Index No.	Part No.	MODEL - OL60TP	Qty Req	
		Description	NAT	LP
1	R12388	ELECTRODE AND WIRE ASSEMBLY	1	1
2	37767	THERMOCOUPLE BRACKET	1	1
3	R685	THERMOCOUPLE, 22 IN	1	1
4	37790	OUTER TOP	1	1
5	R11982	COVER SCREEN, LIGHTS	2	2
6	37819	BURNER PLATE ASSEMBLY	1	1
7	37792	CONTROL DOOR	1	1
8	33258	TUBING ASSEMBLY SUPPLY	1	1
9	P271	FITTING, ORIFICE	1	1
10	R10808	AIR SHUTTER, STAINLESS	1	1
11	P325	ORIFICE #12 (NAT)	1	0
11	P256	ORIFICE #41 (LP)	0	1
12	37817	BURNER WELDED ASSEMBLY	1	1
13	R1652	NUT LOCK (VALVE)	1	1
14	B101848	GAS CONTROL KNOB	1	1
15	R7195	CONNECTOR, BRASS MALE	1	1
16	R11916	VALVE (LP) MANUAL	0	1
16	R11829	VALVE (NAT) MANUAL	1	0
17	R8898	NIPPLE, 3/8 X 3/8 X 1 BLACK IRON (NAT)	1	0
18	R7160	REGULATOR, 4.5 W.C. (NAT)	1	0
19	R12078	FITTING, 1/2 FLARE X 3/8 MNPT	1	1
20	R12077	FLEX LINE - 1/2 FLARE X 25 IN	1	1
21	B072218	IGNITOR, ELECTRONIC	1	1
22	R11921	SWITCH, BUTTON	2	2
23	R11932	WIRE, IGNITOR GROUND	1	1
24	R11920	TRANSFORMER, LED	1	1
25	R11919	CONTROL MODULE, LED	1	1
26	R11942	JUNCTION BOX	1	1
27	R3492	RECEPTACLE - 3 PRONG	1	1
28	R11943	COVER JUNCTION BOX	1	1
29	R11924	WIRE HARNESS, SWITCH	1	1
30	R11986	LIGHT STRIP, LED	2	2
31	37786	FILLER STRIP (60)	2	2
32	37784	FILLER STRIP, SIDE	2	2
N/S	R11843	SCREW, 1/4 IN SHOULDER 10-24 X 3/8	2	2
N/S	R11891	VENTURI SCREEN	1	1
N/S	37880	PROP TOOL	2	2
N/S	R11955	PLUG, CONTROL MODULE (INCLUDED WITH #25)	3	3

N/S - NOT SHOWN

OL48TP AND OL60TP PARTS VIEW



**SOME
COMPONENTS
MAY DIFFER
FROM SHOWN.**

WARRANTY TERMS

Empire Comfort Systems Inc. warrants this hearth product to be free from defects at the time of purchase and for the periods specified below. Hearth products must be installed by a qualified technician and must be maintained and operated safely, in accordance with the instructions in the owner's manual. This warranty applies to the original purchaser only and is not transferable. All warranty repairs must be accomplished by a qualified gas appliance technician.

***Limited Five-Year Parts Warranty – All Components
(Except Remote Controls, Thermostats, Accessories and Replacement Parts)***

Should any part fail because of defective workmanship or material within five years from the date of purchase, Empire will repair or replace at Empire's option.

Limited One-Year Parts Warranty – Remote Controls, Thermostats, Accessories, and Parts

Should any remote control, thermostat, accessory, or other part fail because of defective workmanship within one year from the date of purchase, Empire will repair or replace at Empire's option.

Duties of the Owner

The appliance must be installed by a qualified installer and operated in accordance with the instructions furnished with the appliance. A bill of sale, cancelled check, or payment record should be kept to verify purchase date and establish warranty period. Ready access to the appliance for service.

What Is Not Covered

Damages that might result from the use, misuse, or improper installation of this appliance.

Travel, diagnostic costs and freight charges on warranted parts to and from the factory.

Claims that do not involve defective workmanship or materials.

Unauthorized service or parts replacements.

Removal and reinstallation cost.

Inoperable due to improper or lack of maintenance.

How To Get Service

To make a claim under this warranty, please have your receipt available and contact your installing dealer.

Provide the dealer with the model number, serial number, type of gas, and purchase verification. The installing dealer is responsible for providing service and will contact the factory to initiate any warranted parts replacements.

Empire will make replacement parts available at the factory. Shipping expenses are not covered.

If, after contacting your Empire dealer, service received has not been satisfactory, contact: Consumer Relations Department, Empire Comfort Systems Inc., PO Box 529, Belleville, Illinois 62222, or send an e-mail to info@empirecomfort.com with "Consumer Relations" in the subject line.

Your Rights Under State Law

This warranty gives you specific legal rights, and you may also have other rights, which vary from state to state.



**Empire Comfort Systems Inc.
Belleville, IL**

If you have a general question
about our products, please e-mail
us at info@empirecomfort.com.

If you have a service or repair
question, please contact your dealer.

SINCE 1932

www.empirecomfort.com